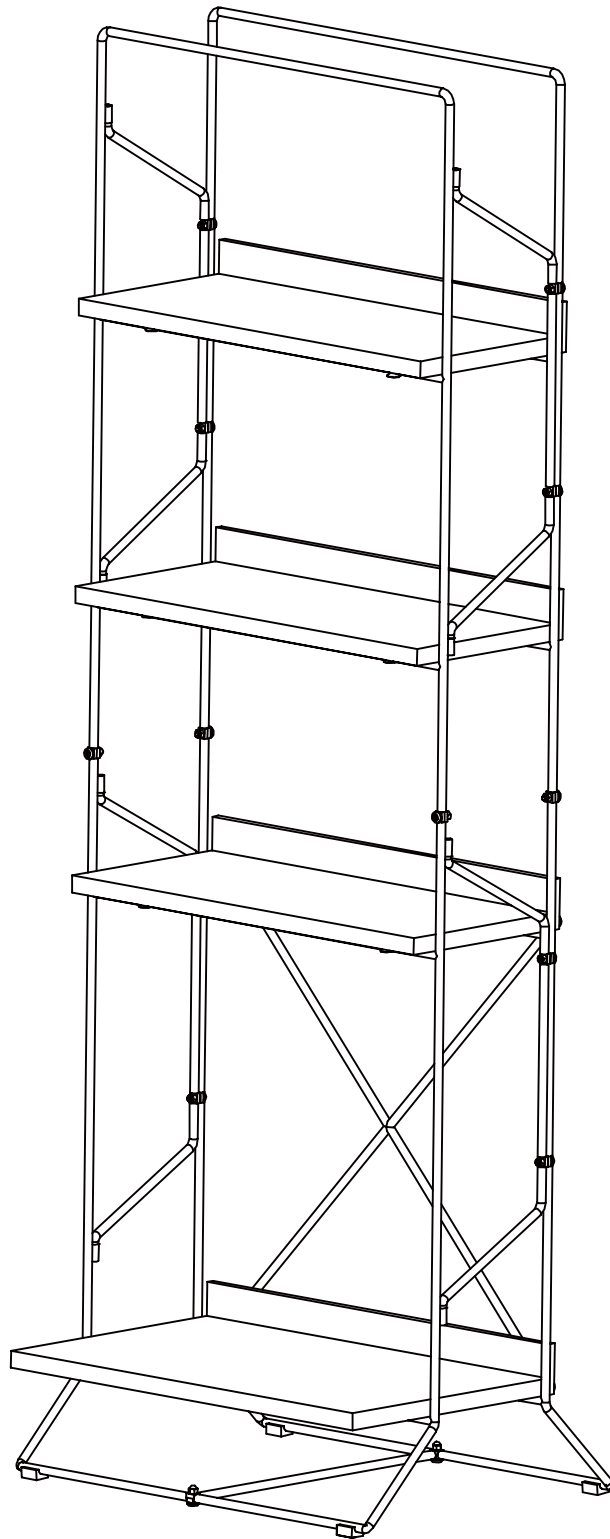


# Berlin Media Tower




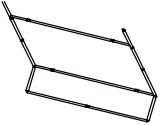



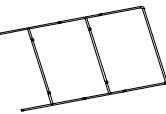


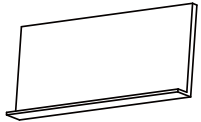



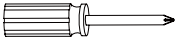
136CD/88DVD/108Blu-ray



#25535626

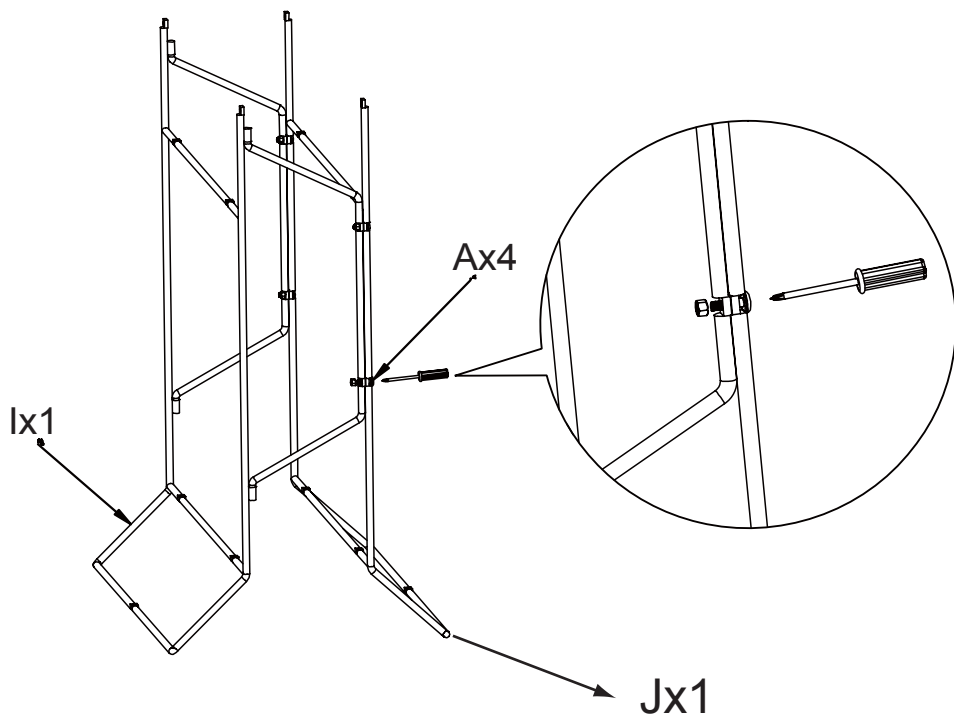
**ATLANTIC®**

# Parts List

Item	component parts list	Qty	Item	component parts list	Qty
A		12	I		1
B		2	J		1
C		4	K		1
D		16	L		1
E		4	M		1
F		1	N		1
G		2	Philips screwdriver needed (not included)		
H		1			

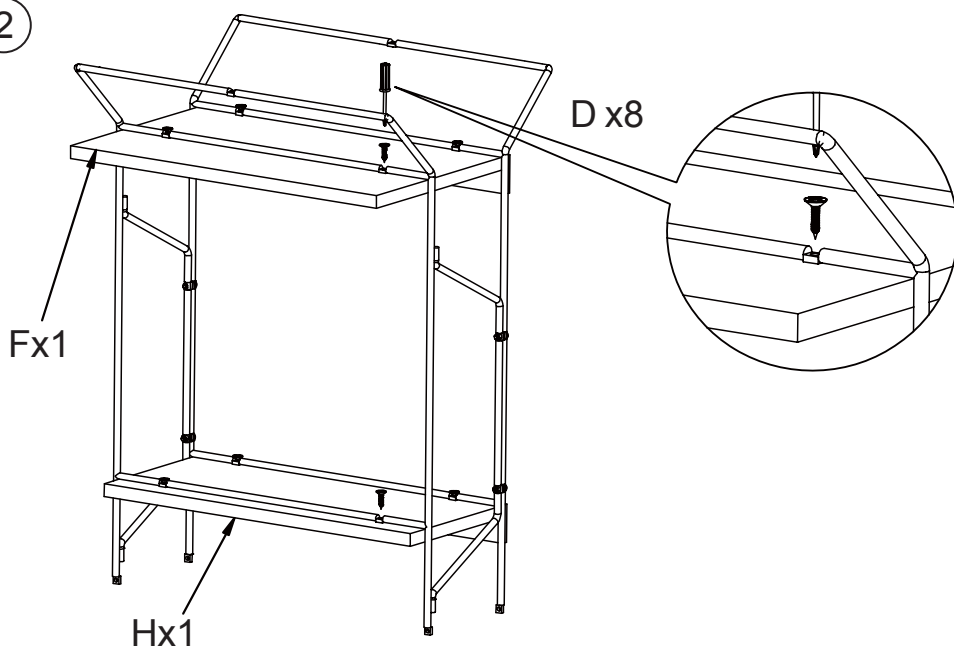
To order the missing/replacement parts or assembly assistance, please call 1-800-747-2660 or email to [customer\\_relations@atlantic-inc.com](mailto:customer_relations@atlantic-inc.com)

1



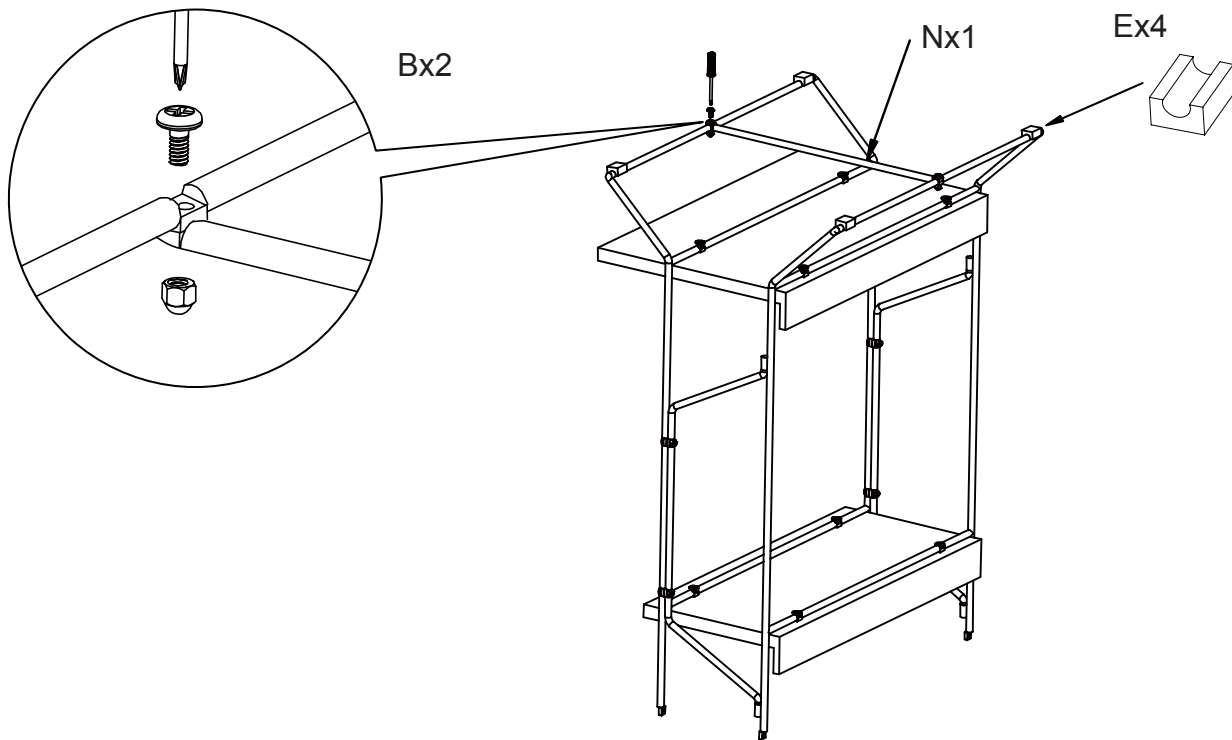
1.Attach wire frame (I) and (J) with screws and nuts (A).

2



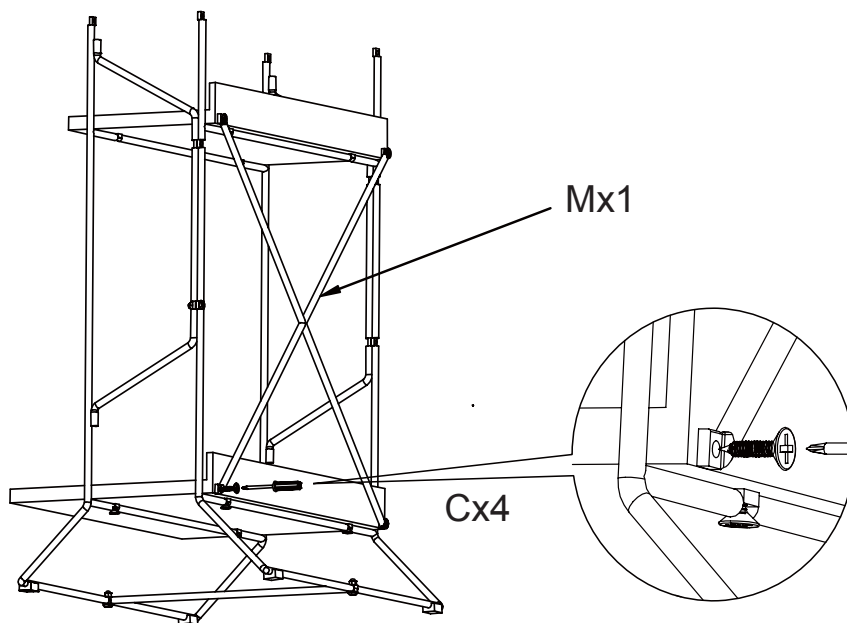
2.Fix bottom shelf (F) and shelf (H) to wire frame with screws (D)

3



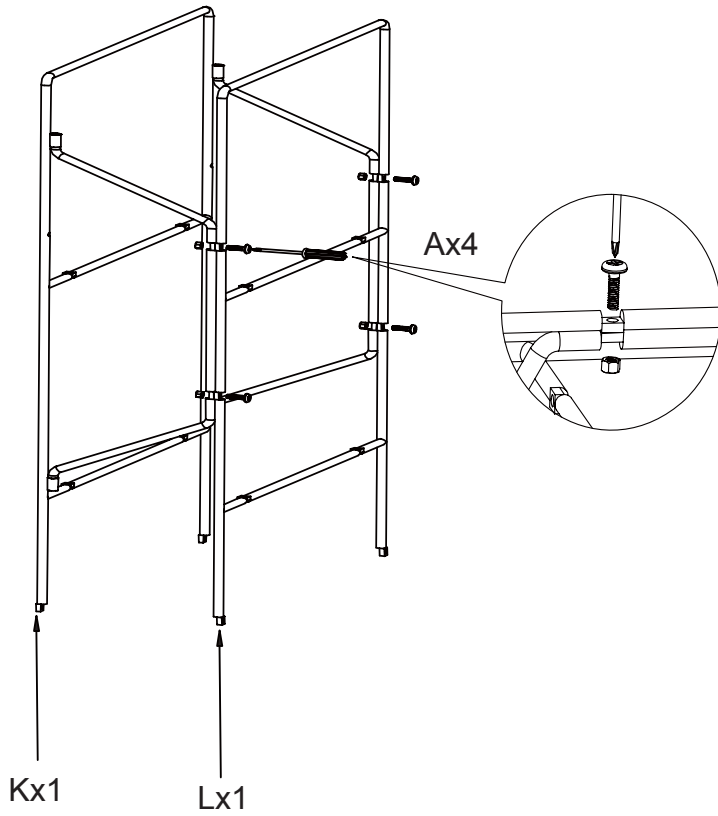
3. Fix the metal bar (N) to the wire frame with screws and nuts (B), then attach the rubber feet (E) to the metal wire as show in diagram above.

4



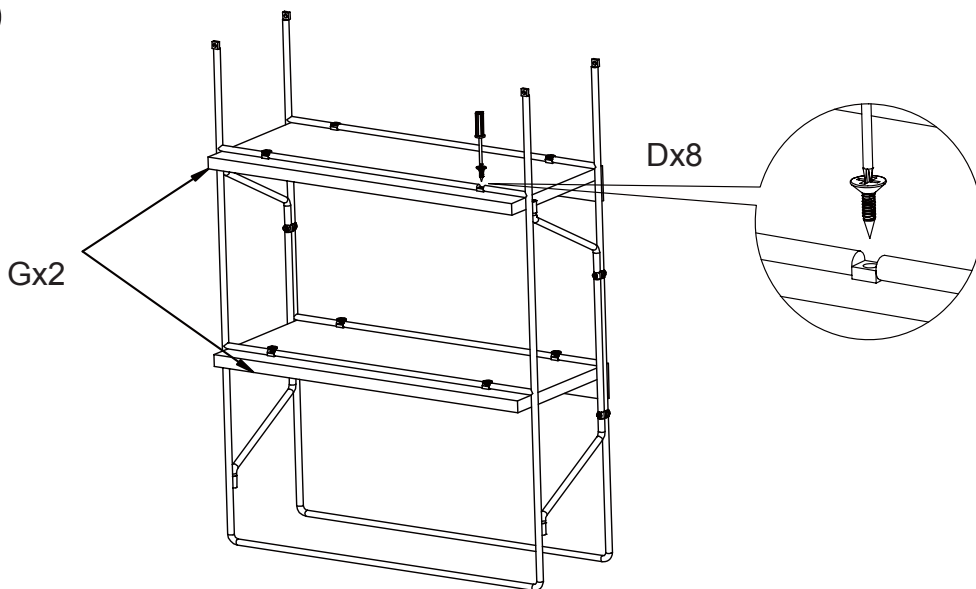
4. Fix the X-brace (M) to back of shelves with screw (C) as show in diagram above.

5



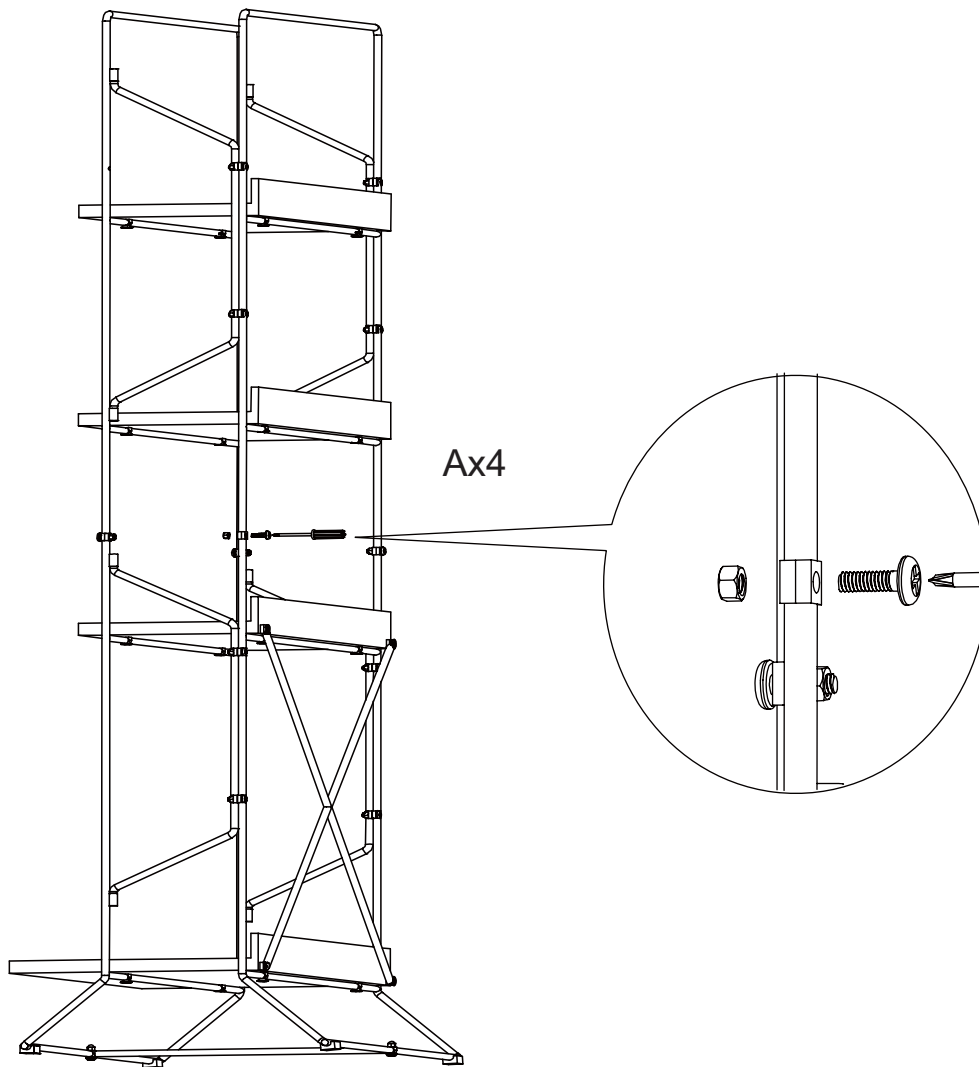
5. Attach the wire frames (K) and (L) with screws and nuts (A) as show in diagram above.

6

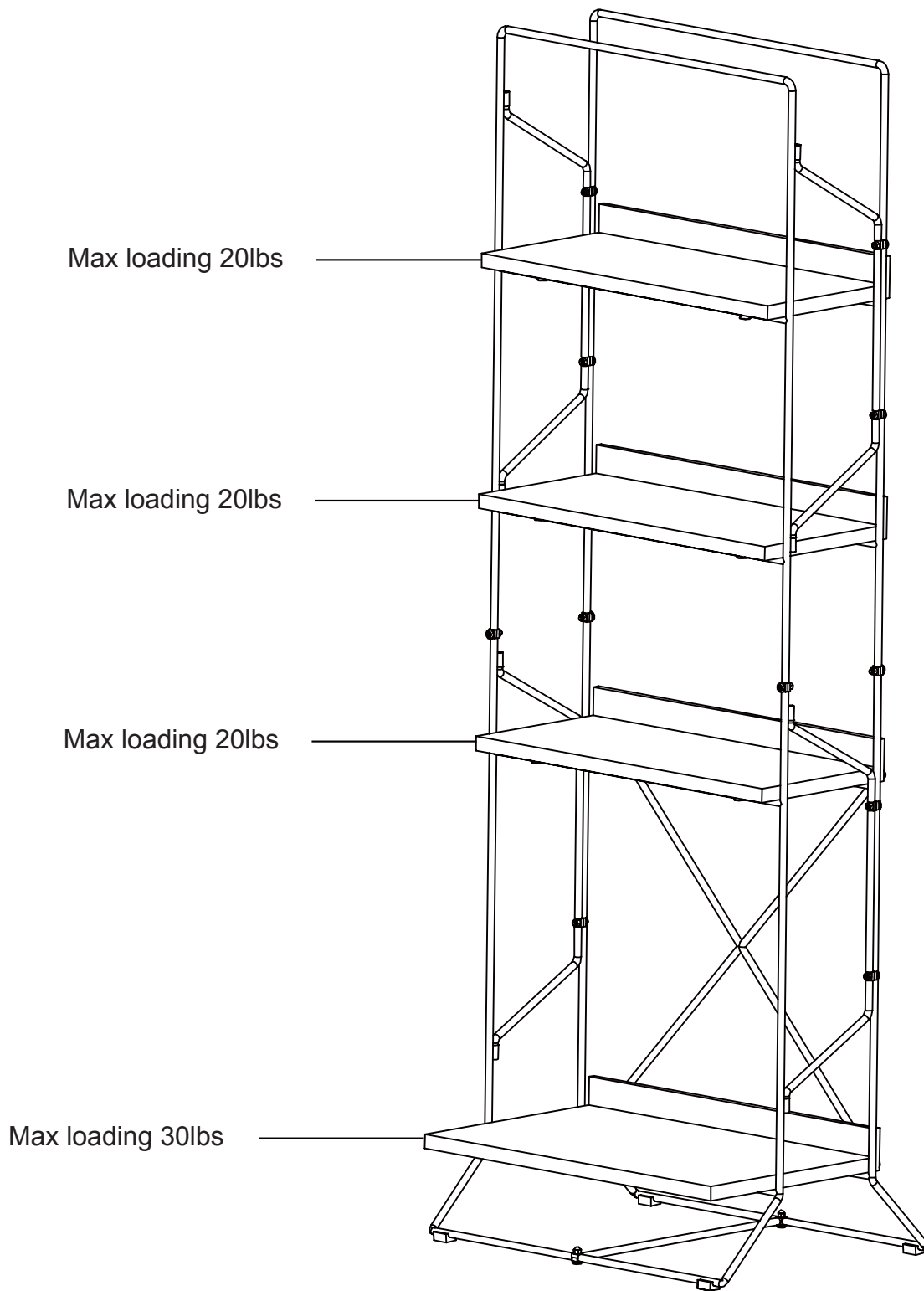


6. Fix the shelves(G) using screws (D) as show in diagram above.

7



7. Connect the two portions using screws and nuts(A) as show in diagram above .



## **ATLANTIC®**

©2009 Atlantic Inc. Santa Fe Springs, CA. U.S.A.  
U.S. and other foreign patents pending /  
Patentes de los EUA y países extranjeros en trámite /  
Brevets en cours pour les États-Unis et autres pays  
All rights reserved / Derechos Reservados /  
Tous droits réservés  
Made in China / Hecho en China /  
Fabriqué en Chine  
[www.atlantic-inc.com](http://www.atlantic-inc.com)  
R1.0 091120# 25535626