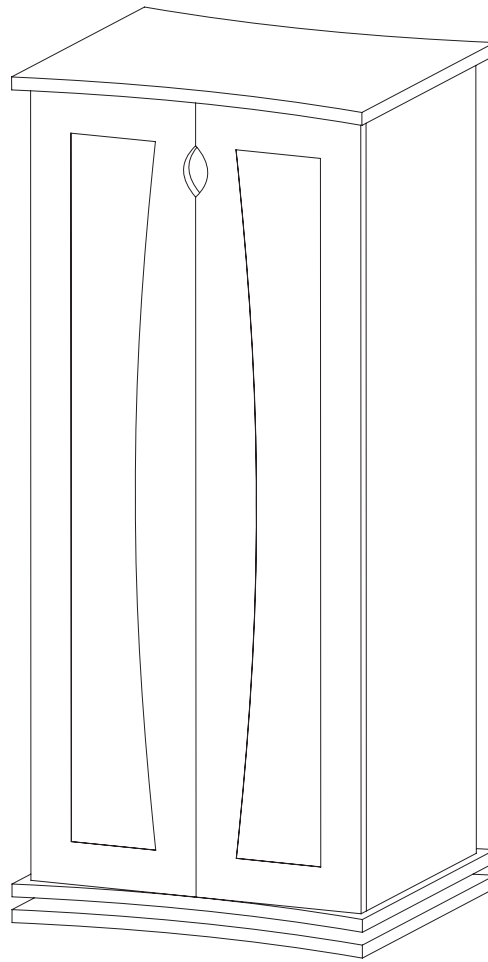


# Eclipse

444 CD / 200 DVD



# 33335427

 ATLANTIC®

# Assembly Instructions:

Parts List	Qty.
A	1
B	1
C	1
D	1
E	1
F	1
G	1
H	1
I	10
J	1

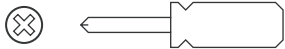
Parts List	Qty.
K	4
L	4
M	8
N	1
O	2
P	44
Q	4
R	2
S	2
T	8
U	4

### Tools included



Hex Key

### Tools needed / not included



Phillips screwdriver

**ATLANTIC®**

©2007 Atlantic Inc.  
Santa Fe Springs, CA. U.S.A.

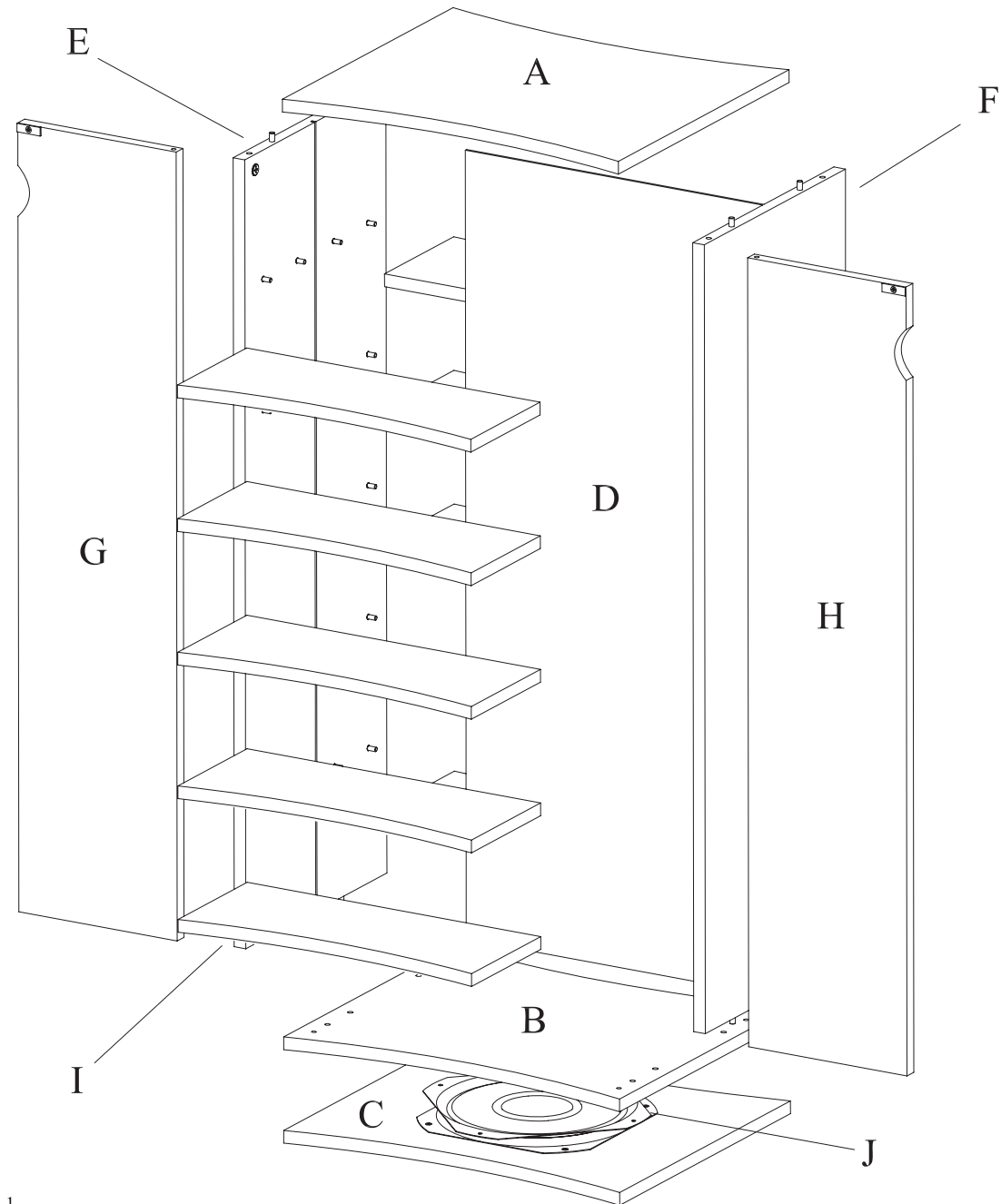
U.S. AND OTHER FOREIGN PATENTS PENDING  
Patentes de los EUA y países extranjeros en trámite  
En cours pour Etats Unis et autres pays étrangers  
U.S. und andere ausländische Patente sind hängig  
ALL RIGHTS RESERVED  
Derechos Reservados / Tous droits réservés /  
Alle Rechte vorbehalten

www.atlantic-inc.com

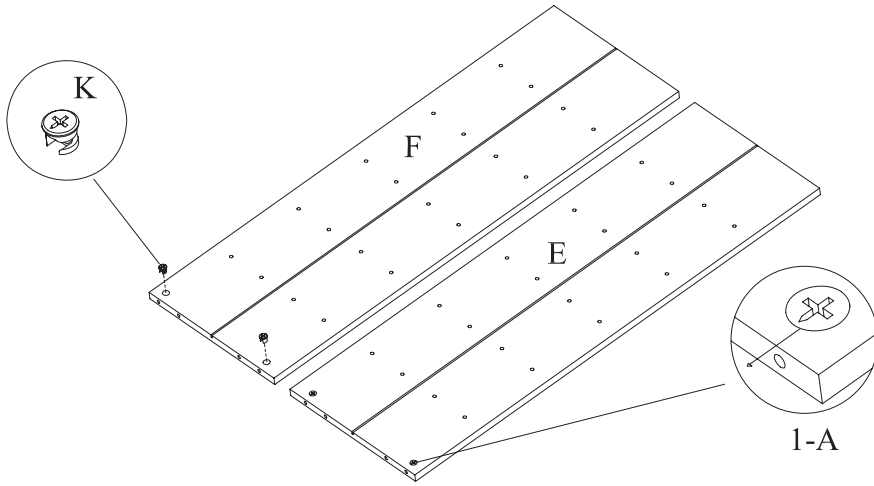
MADE IN CHINA

Hecho en China / Fabriqué en Chine /  
Herstellt in China

R1.1 070323 # 33335427

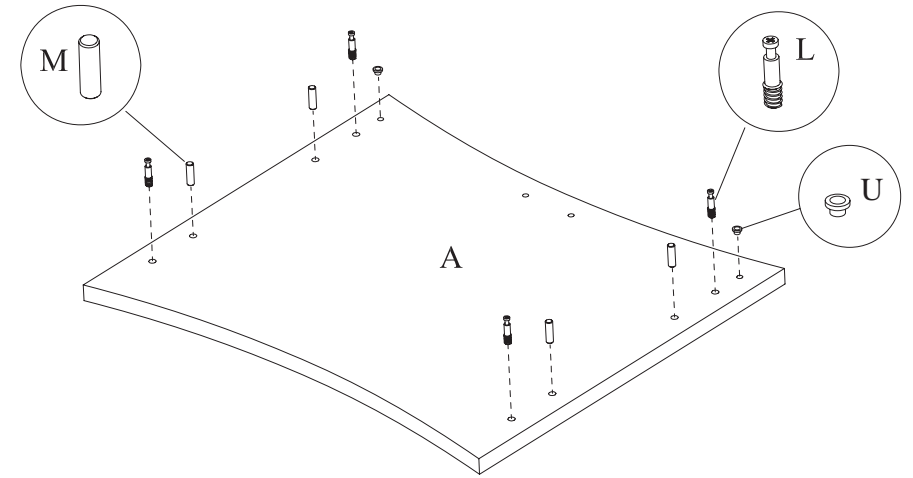


1



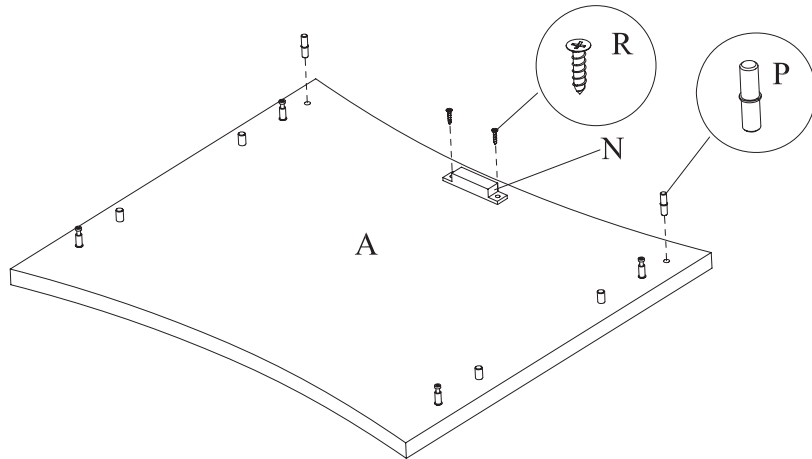
1 - Insert (K) into side panels (E) and (F). Arrows should point towards screw opening, see diagram (1-A)

2



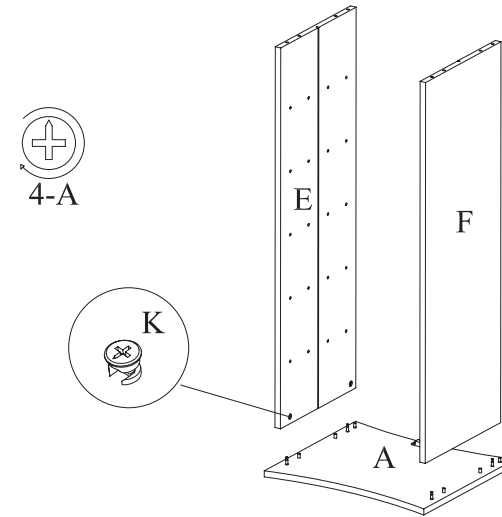
2 - Screw (L) into panel (A). Insert dowels (M) and plastic inserts (U) into the holes as shown.

3



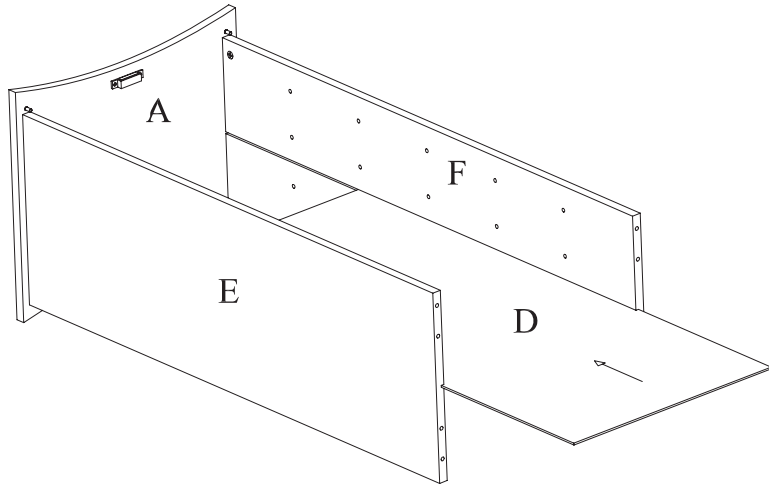
3 - Fasten (N) to panel (A) with screws (R). Insert pins (P) into the holes.

4



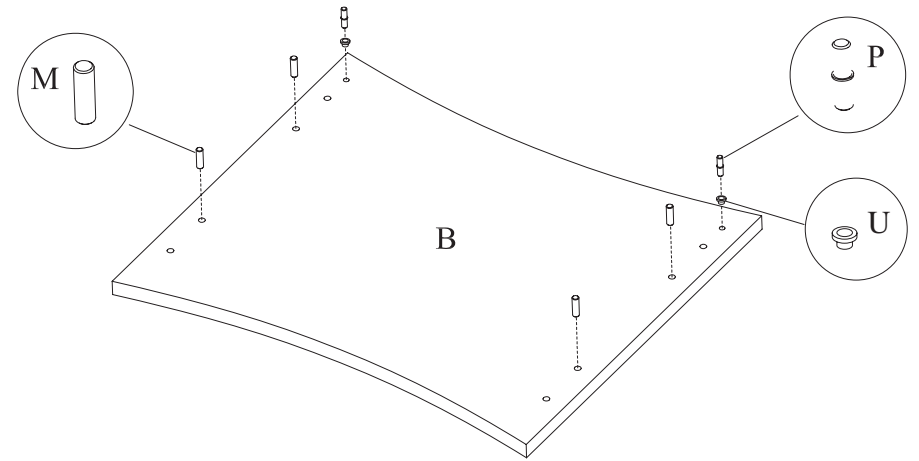
4 - Attach (E) and (F) onto panel (A). Lock by turning (K) in side panels (E) and (F), clockwise until it locks. See diagram (4-A).

5



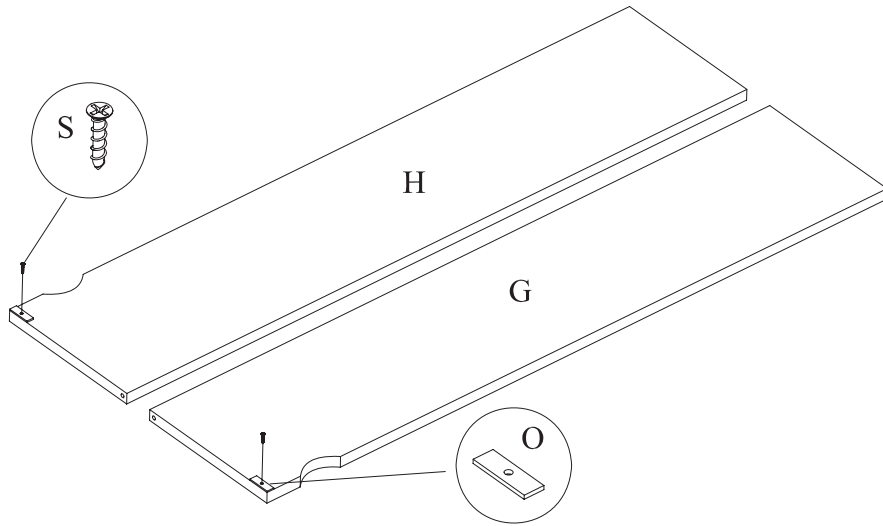
5 - Slide middle panel (D) into groove in panels (E) and (F).

6



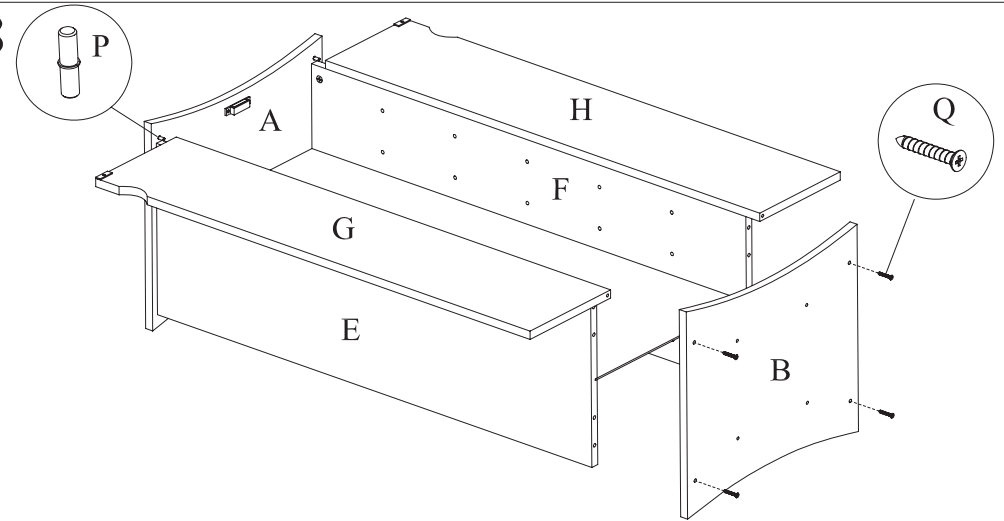
6 - Insert dowels (M) into the holes of base panel (B) as shown. Insert plastic inserts (U) and then pins (P) into the holes as shown.

7



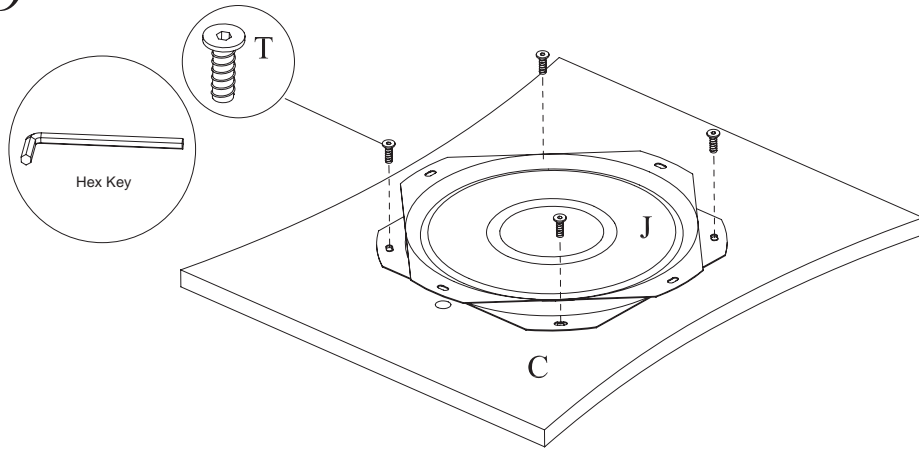
7 - Attach metal plates (O) to left door (G) and right door (H) with screws (S).

8



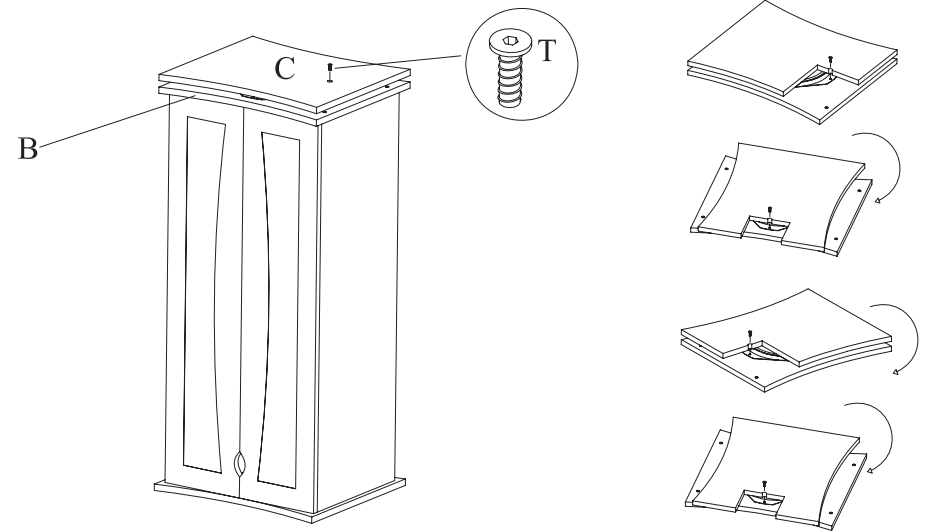
8 - Attach doors (G) and (H) to (A) and (B) with pins (P). Attach base panel (B) to side panels (E) and (F) with screws (Q).

9



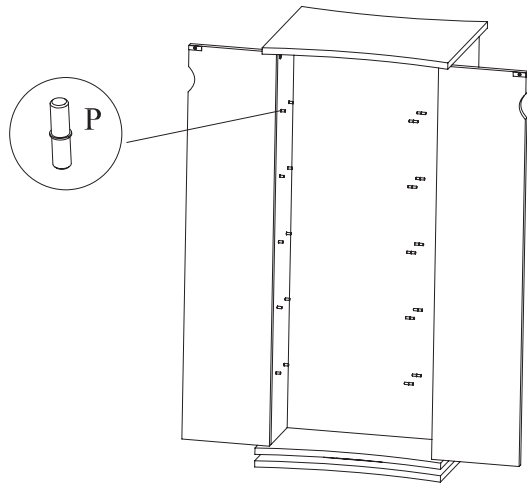
9 - Fasten rotating bracket (J) onto the lower base (C) with screws (T) using provided tool (Hex Key).

10



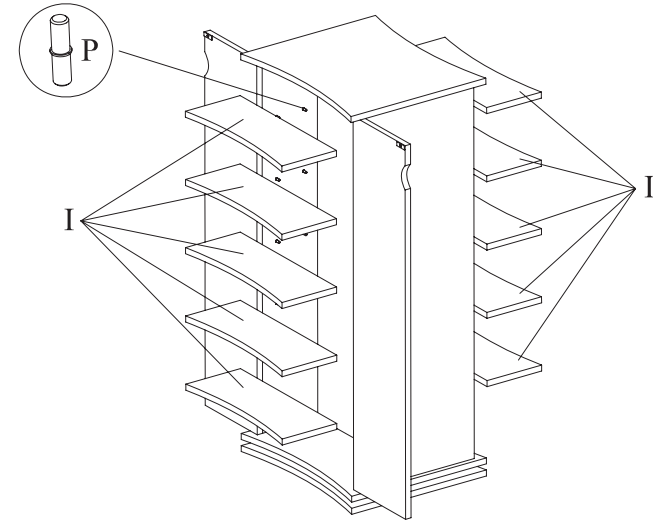
10 - Attach lower rotating base (C) to (B) by inserting and tightening screws (T) through access holes, one at a time.

11



11 - Insert pins (P) at desired heights.

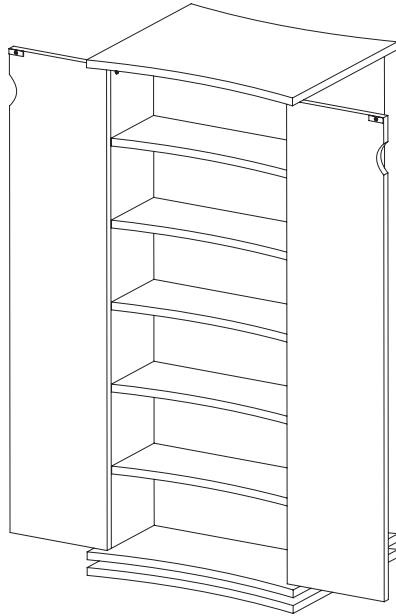
12



12 - Place shelves (I) on pins (P).

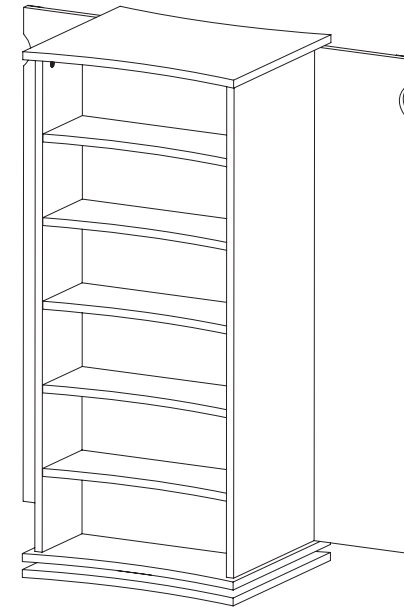
13

Front

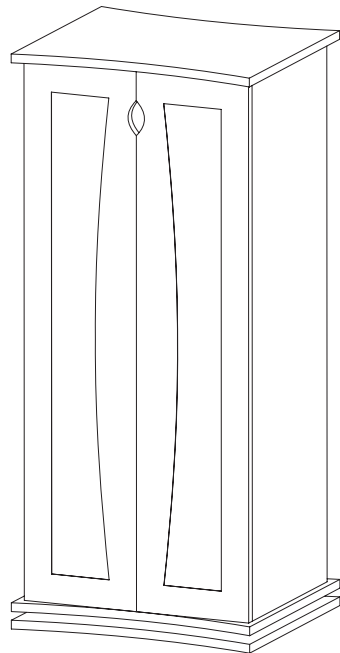


14

Back



15



**ATLANTIC**

©2007 Atlantic Inc.  
Santa Fe Springs, CA, U.S.A.

U.S. AND OTHER FOREIGN PATENTS PENDING  
Patentes de los EUA y países extranjeros en trámite  
En cours pour Etats Unis et autres pays étrangers  
U.S. und andere ausländische Patente sind hängig  
ALL RIGHTS RESERVED  
Derechos Reservados / Tous droits réservés /  
Alle Rechte vorbehalten

[www.atlantic-inc.com](http://www.atlantic-inc.com)

MADE IN CHINA

Hecho en China / Fabriqué en Chine /  
Hergestellt in China

R1.1 070323 # 33335427

