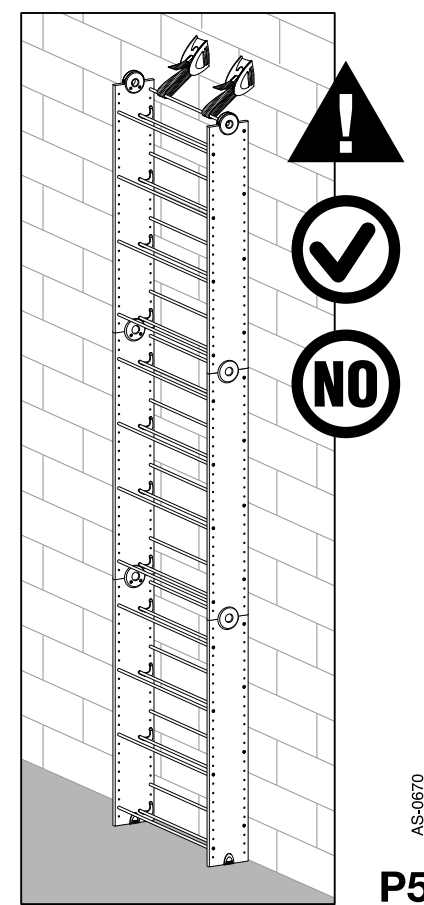
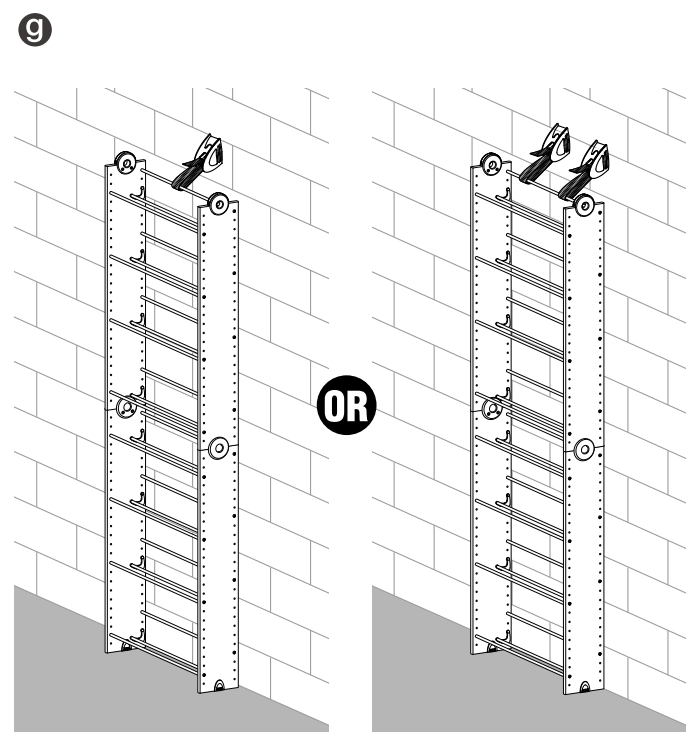
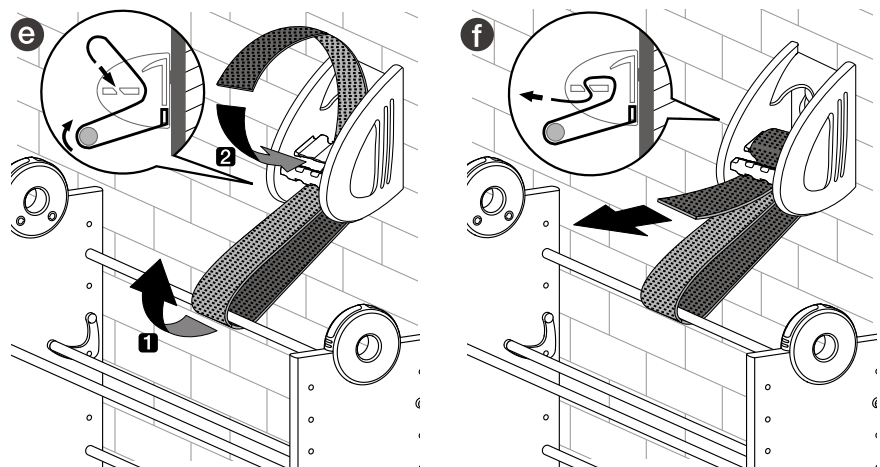
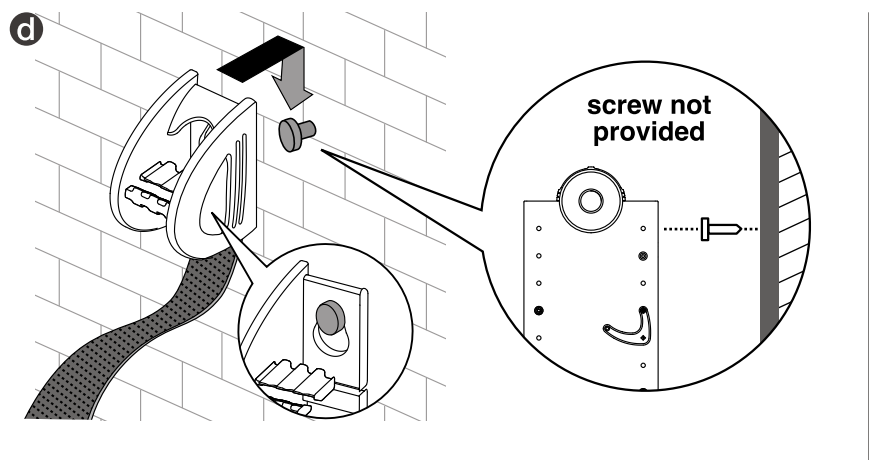
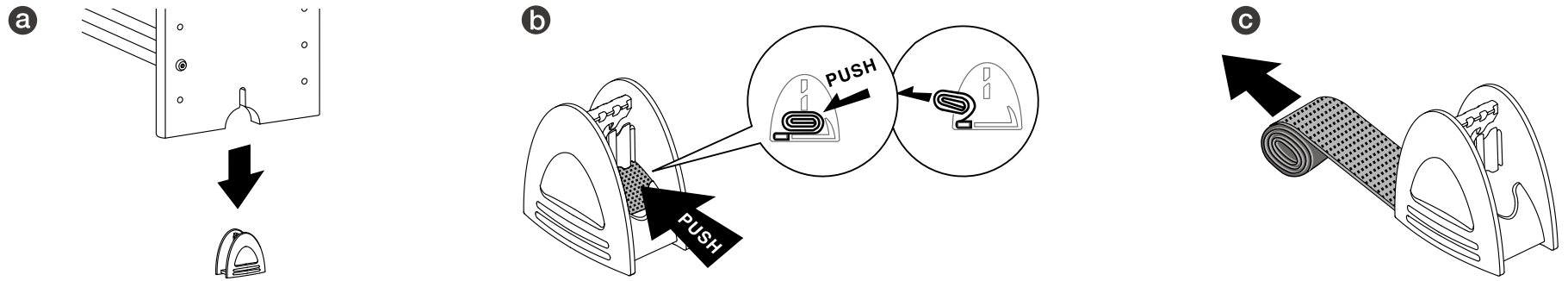


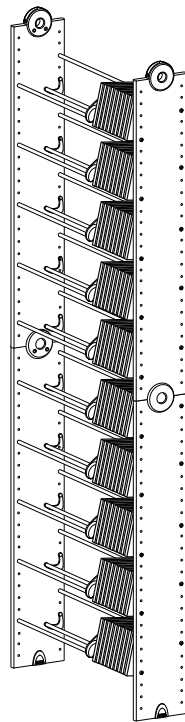
Wall mount



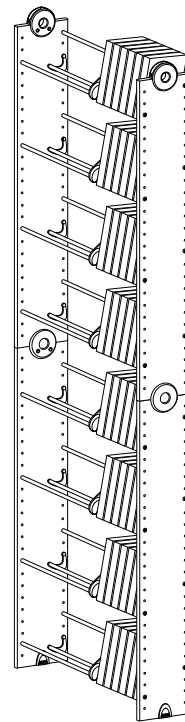
Alternative Arrangements

	CD	DVD or Small VHS	Large VHS
A Type	590	---	---
B Type	---	320 or 160	---
C Type	---	---	70
D Type	348	---	30
E Type	174 + 80	or 40	+ 30

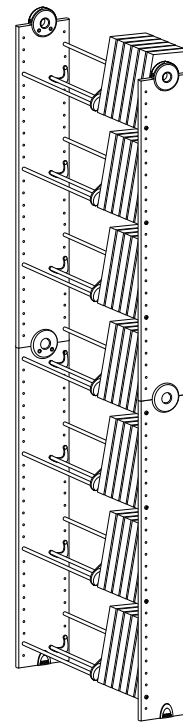
* Small VHS: 200 x 120 x 30
 * Large VHS: 221 x 140 x 30



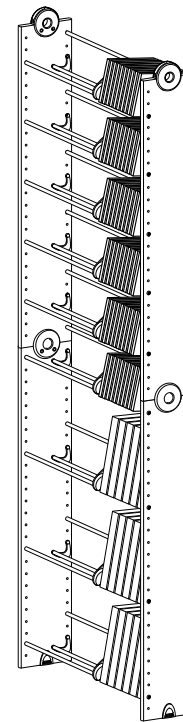
A Type



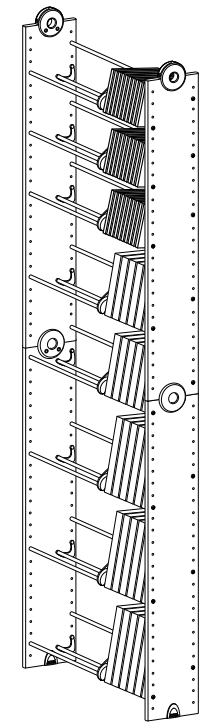
B Type



C Type



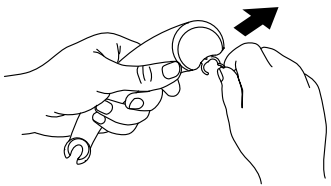
D Type



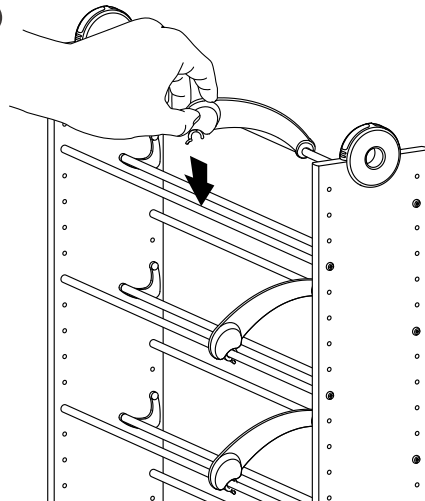
E Type

Divider

a



b



c

