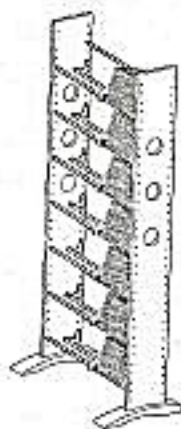


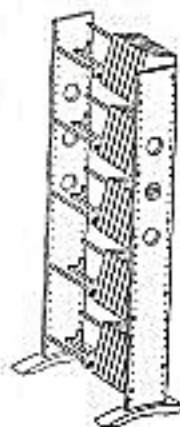
4101

Configurations:

CAPACITY CHART			
	CD	+	VHS / DVD
A Type	322	+	-
B Type	-	+	85 / 180
	46	+	68 / 144
C Type	92	+	51 / 108
D Type	184	+	34 / 72
E Type	230	+	17 / 36

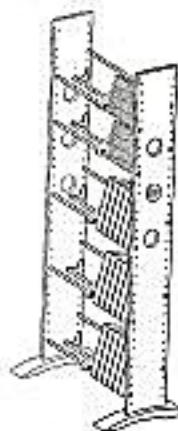


A Type

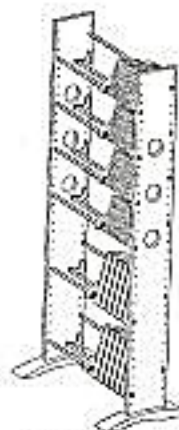


B Type

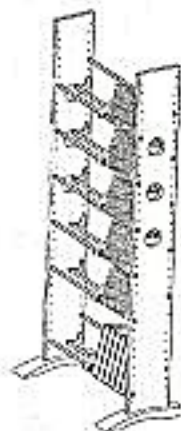
or



C Type



D Type



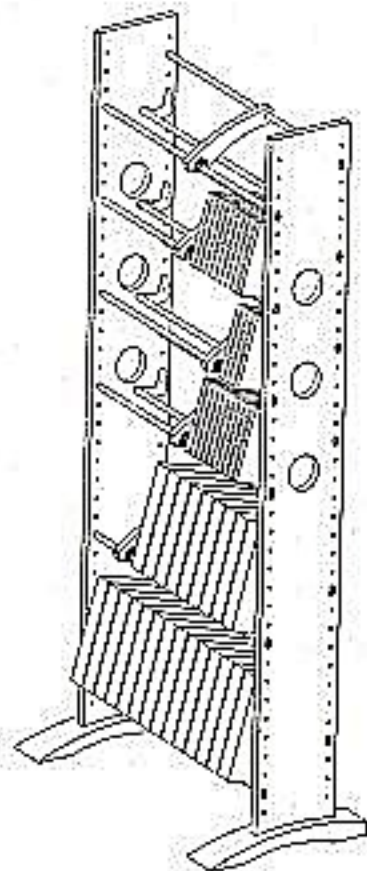
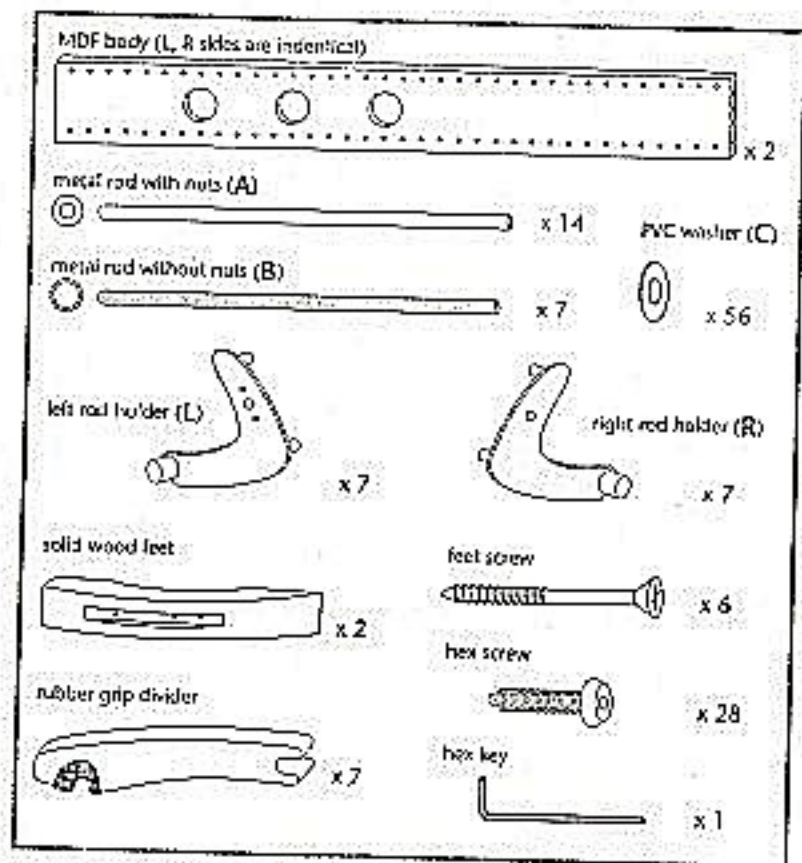
E Type

ATLANTIC

**ADJUSTABLE
MULTI-MEDIA
STORAGE SYSTEM**

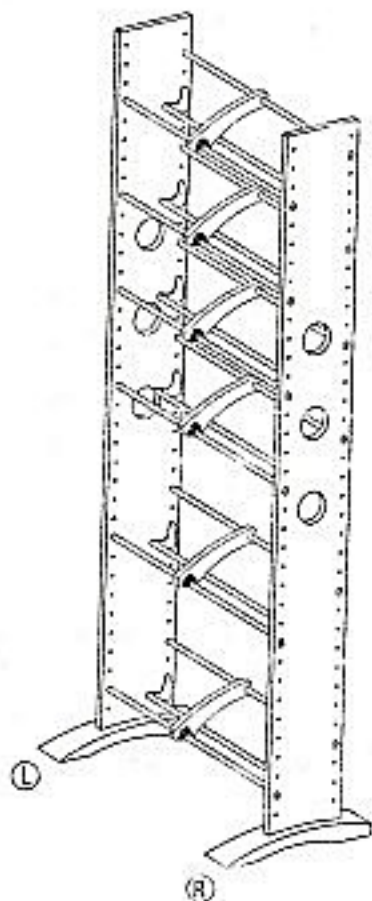
Item No. 401
MADE IN MEXICO
© 1998 ATLANTIC MULTIMEDIA SYSTEMS

Parts List :



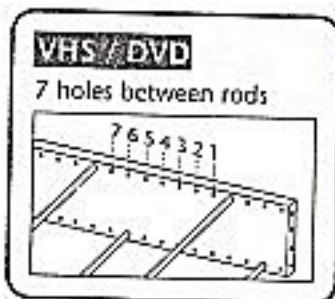
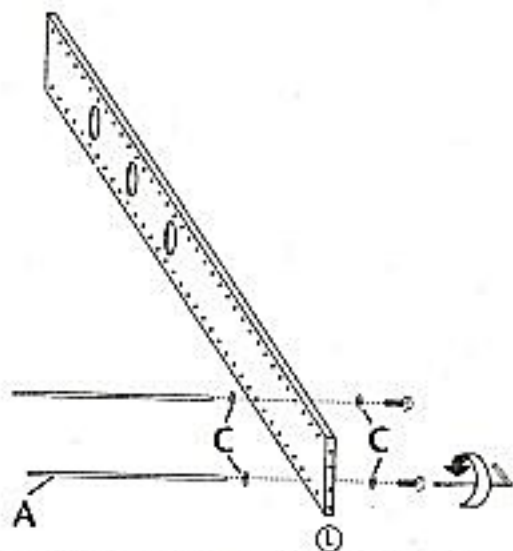
Assembly Instruction:

part 1 of 2

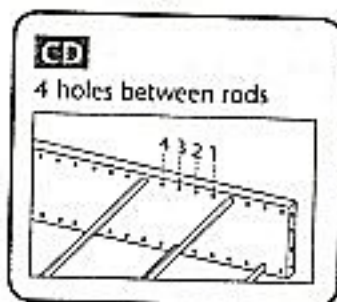


**ADJUSTABLE
MULTI-MEDIA
STORAGE SYSTEM**
Item No. 4021

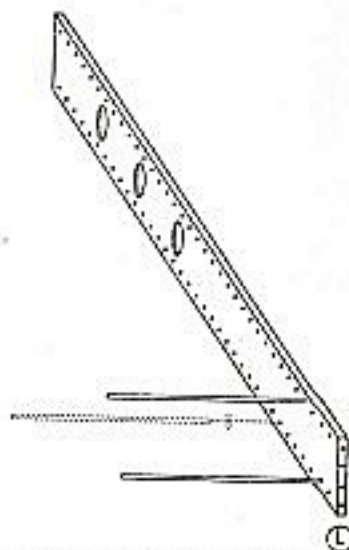
1 Start from base rods



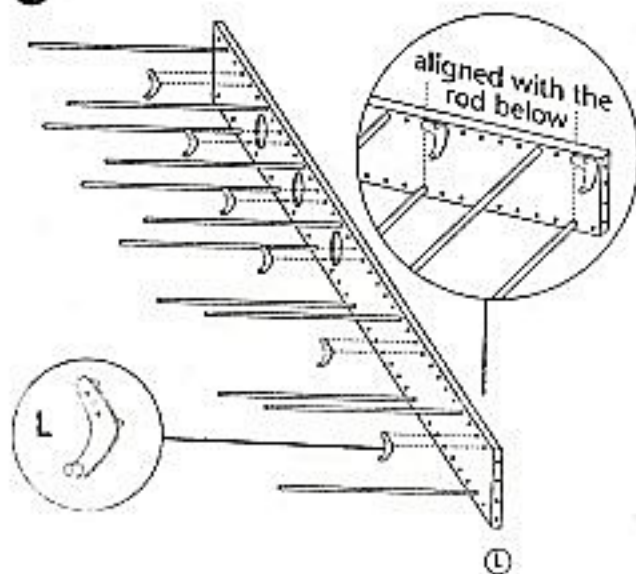
OR



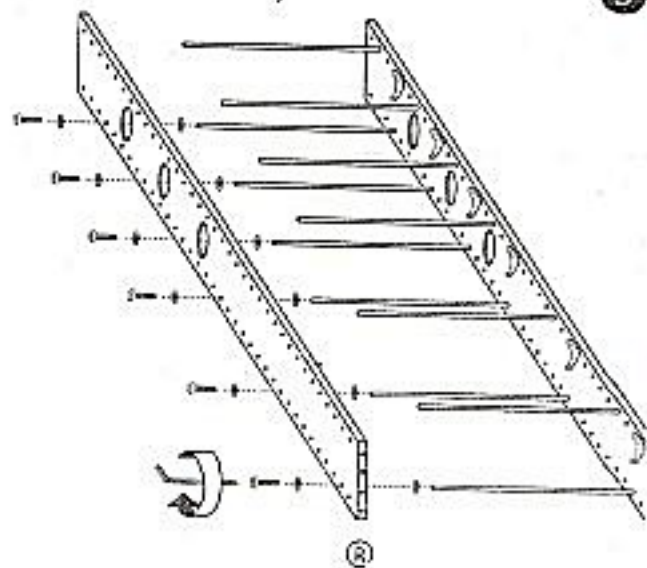
2 Place the rods according to your need:



3

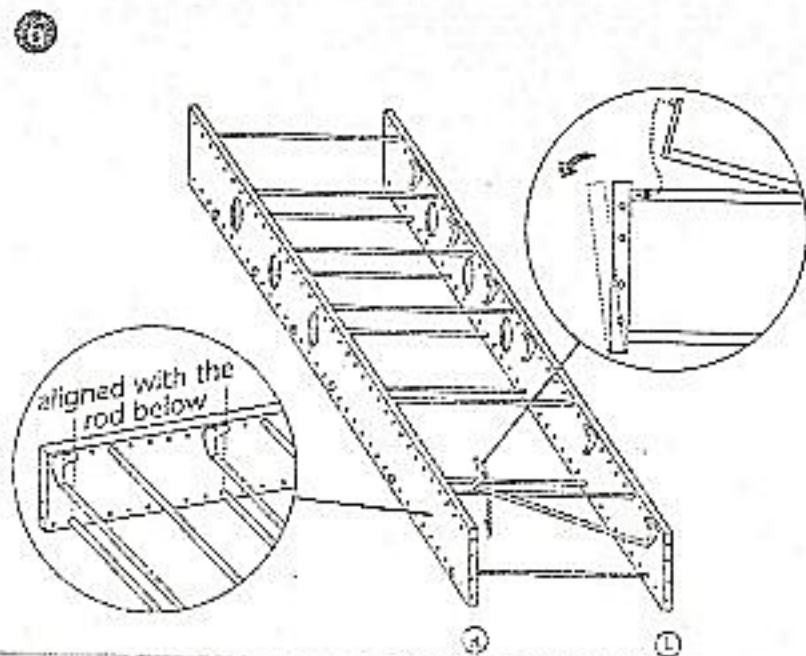
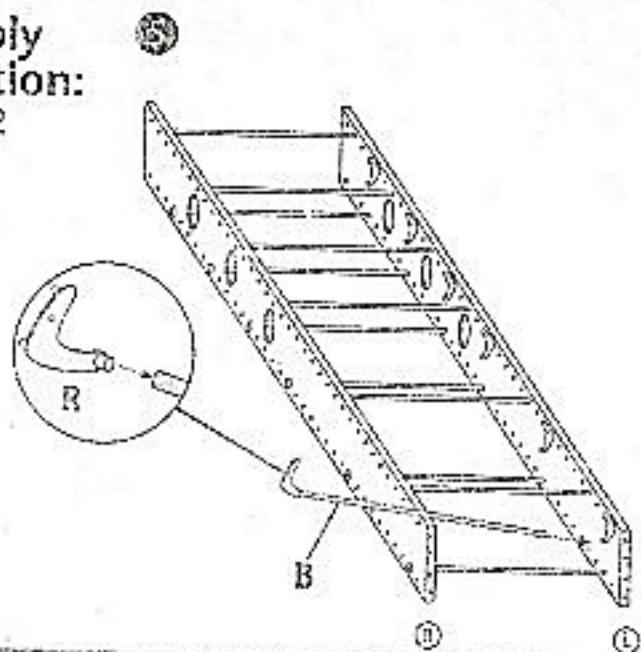


4 Do not tighten the screws yet

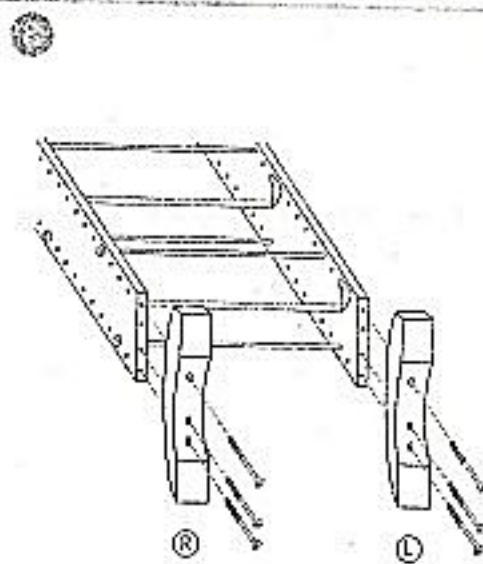
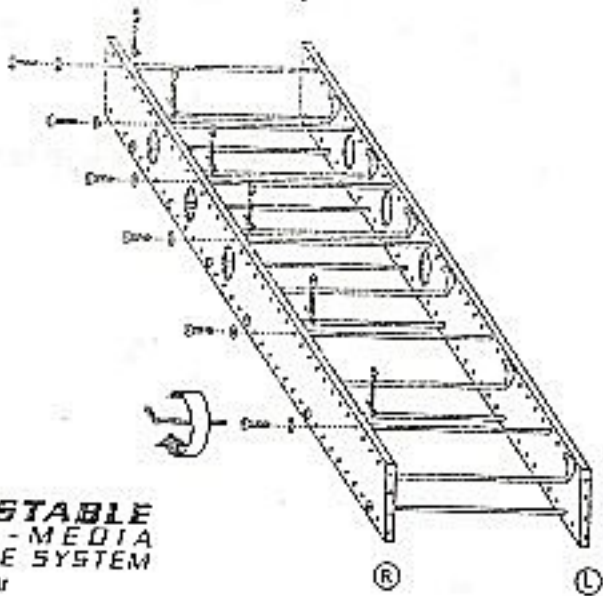


5

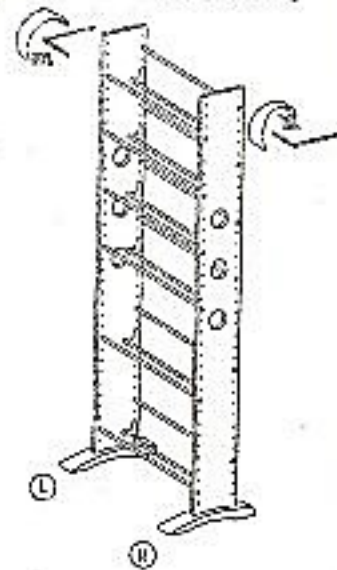
**Assembly
Instruction:**
part 2 of 2



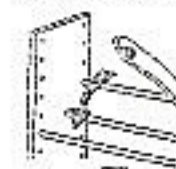
7 Do not tighten the screws yet



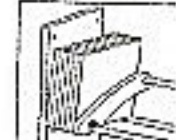
9 Tighten all screws securely



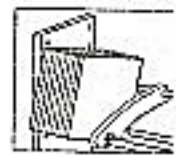
Wood divide



Easy views



OR



**ADJUSTABLE
MULTI-MEDIA
STORAGE SYSTEM**
Item No. 4101