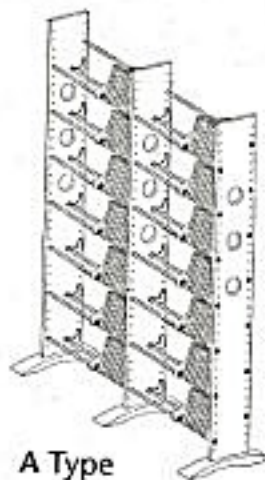


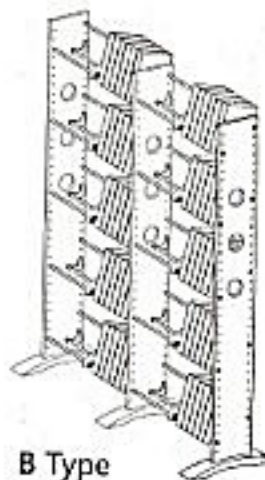
4301

Configurations:

CAPACITY CHART			
	CD	+	VHS / DVD
A Type	644	+	—
B Type	—	+	110 / 360
	92	+	88 / 288
C Type	184	+	66 / 216
D Type	368	+	44 / 144
E Type	460	+	34 / 72

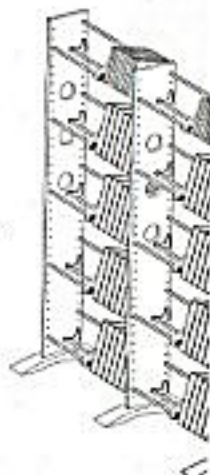


A Type

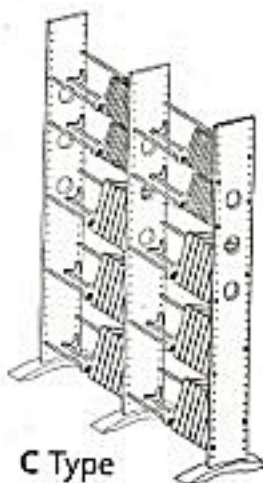
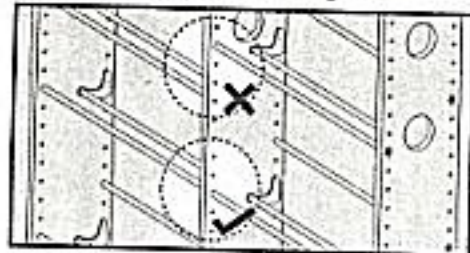


B Type

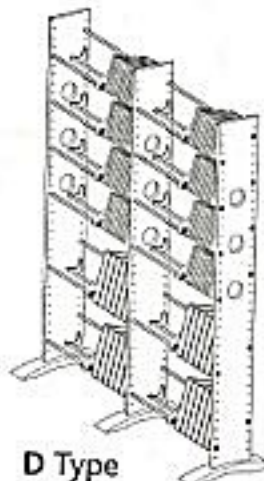
or



Rods of both sides must be aligned



C Type



D Type

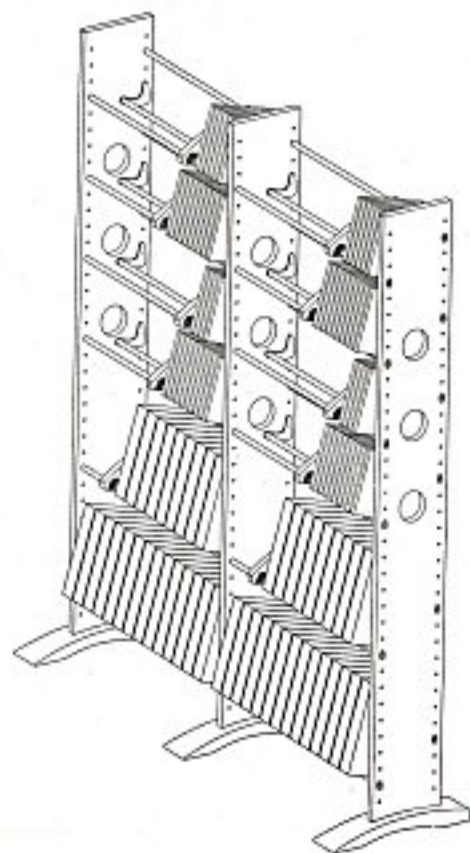
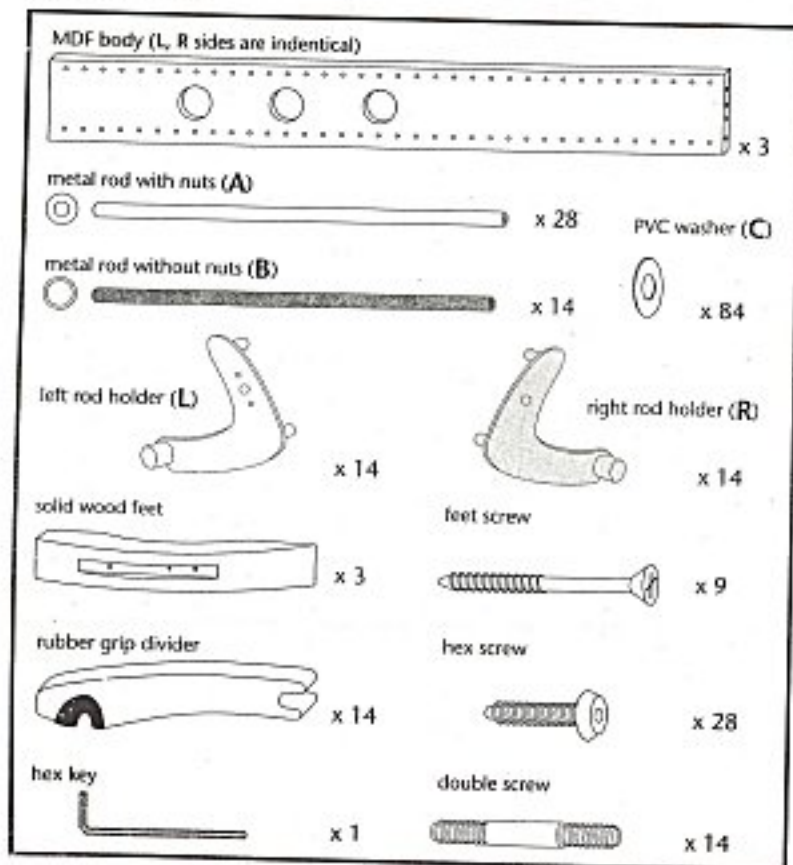


E Type

ATLANTIC
**ADJUSTABLE
MULTI-MEDIA
STORAGE SYSTEM**

 Item No. 4301
 1-800-448-0582 ext. 200
 e-mail: atlantic@atlantic-nc.com

Parts List :

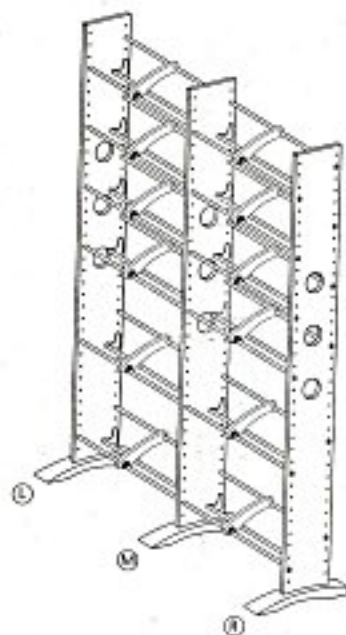


**ADJUSTABLE
MULTI-MEDIA
STORAGE SYSTEM**

Item No. 4300

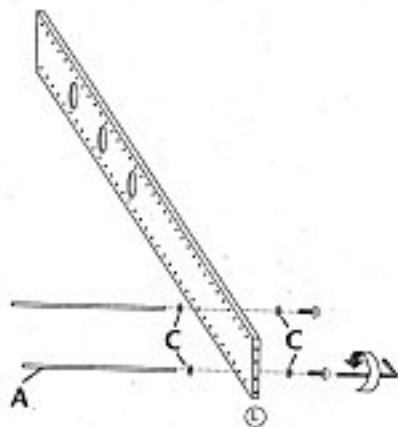
Assembly Instruction:

part 1 of 3

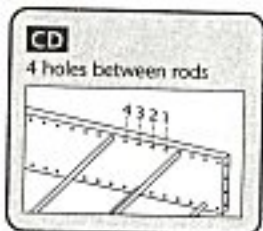


**ADJUSTABLE
MULTI-MEDIA
STORAGE SYSTEM**
Item No. 429

1 Start from base rods



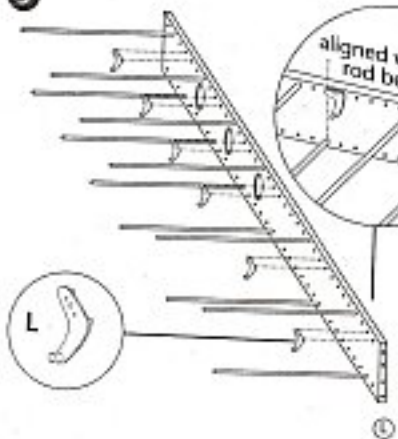
or



2 Place the rods according to your need:

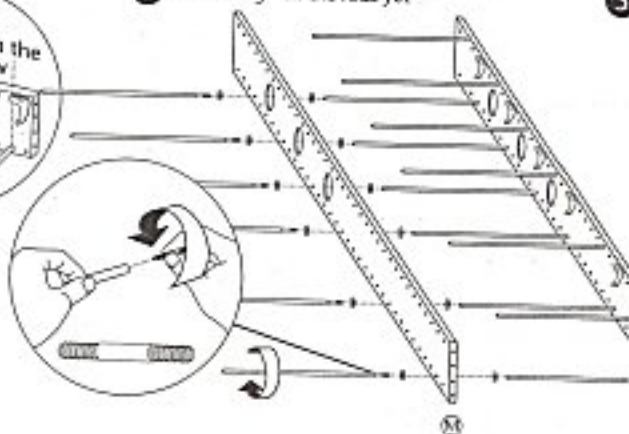


3

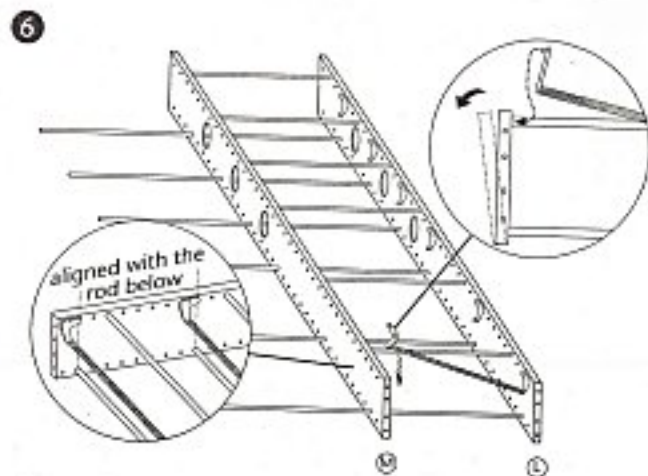
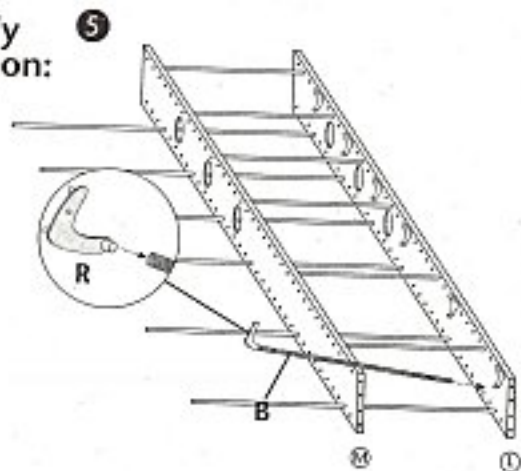


4 Do not tighten the rods yet

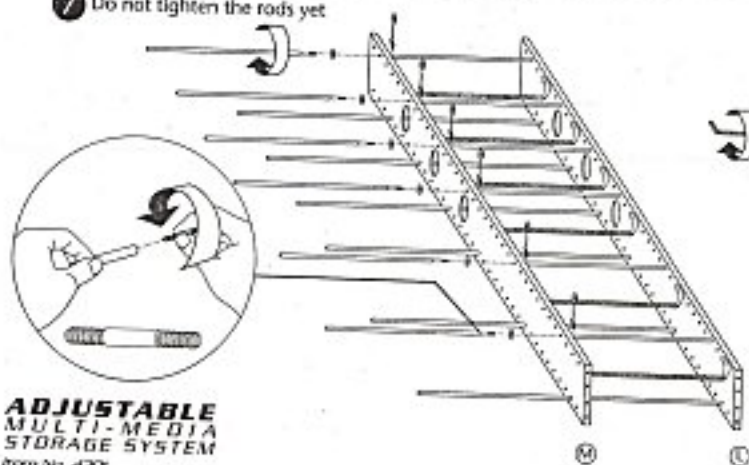
5



**Assembly
Instruction:**
part 2 of 3

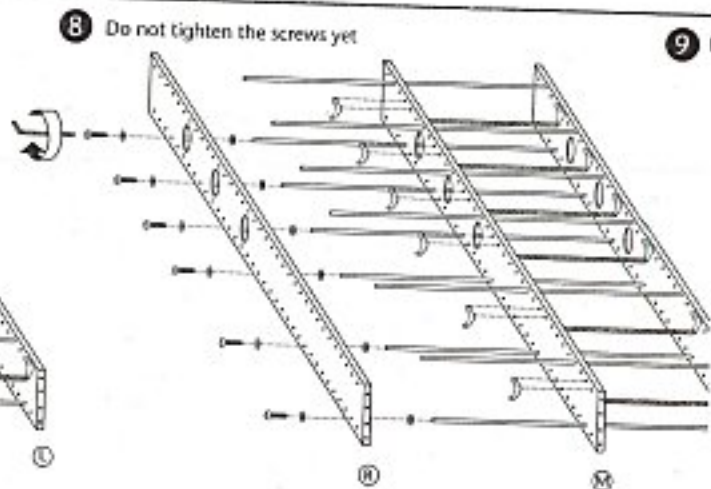


7 Do not tighten the rods yet



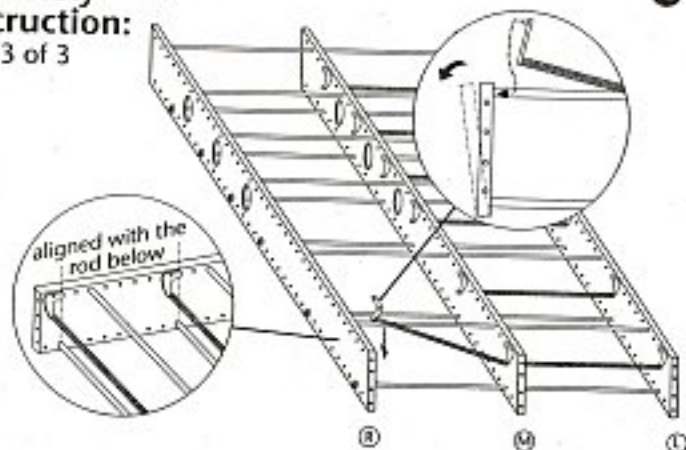
**ADJUSTABLE
MULTI-MEDIA
STORAGE SYSTEM**
Item No. 4307

8 Do not tighten the screws yet



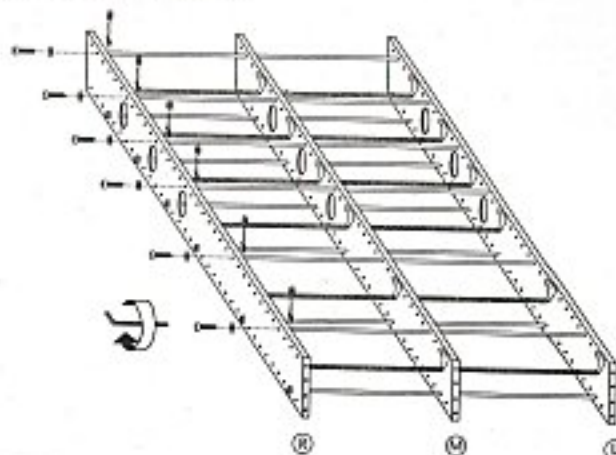
**Assembly
Instruction:**
part 3 of 3

9

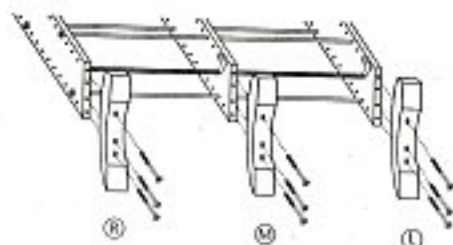


10

Do not tighten the screws yet

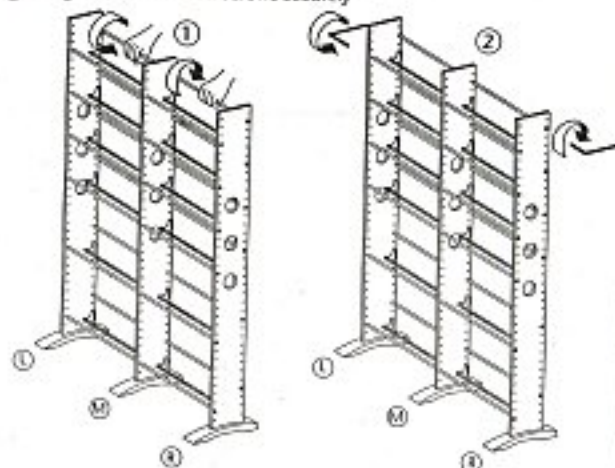


11



12

Tighten all rods and screws securely



Wood divider



Easy views



OR



**ADJUSTABLE
MULTI-MEDIA
STORAGE SYSTEM**
Item No. 4309