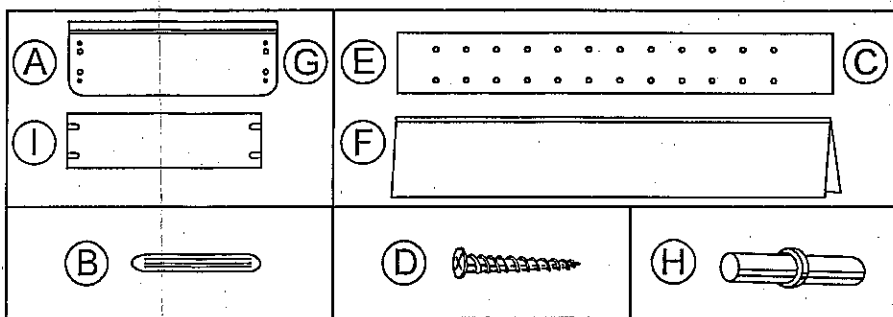


ASSEMBLY INSTRUCTIONS

ITEM NO. DRA280MM03

PARTS IN THIS PACKAGE

- A. BOTTOM PANEL (1PCS)
- B. WOODEN DOWELS (8PCS)
- C. SIDE PANEL - LEFT (1PCS)
- D. SCREWS (8PCS)
- E. SIDE PANEL - RIGHT (1PCS)
- F. BACK PANEL (1PCS)
- G. TOP PANEL (1PCS)
- H. SHELF STOPPERS (24 PCS)
- I. SHELVES (6 PCS)



TOOLS NEEDED

WOOD GLUE
SCREWDRIVER
(PHILLIPS)

(INCLUDED)
(NOT INCLUDED)

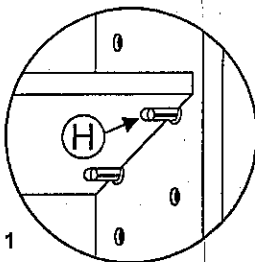
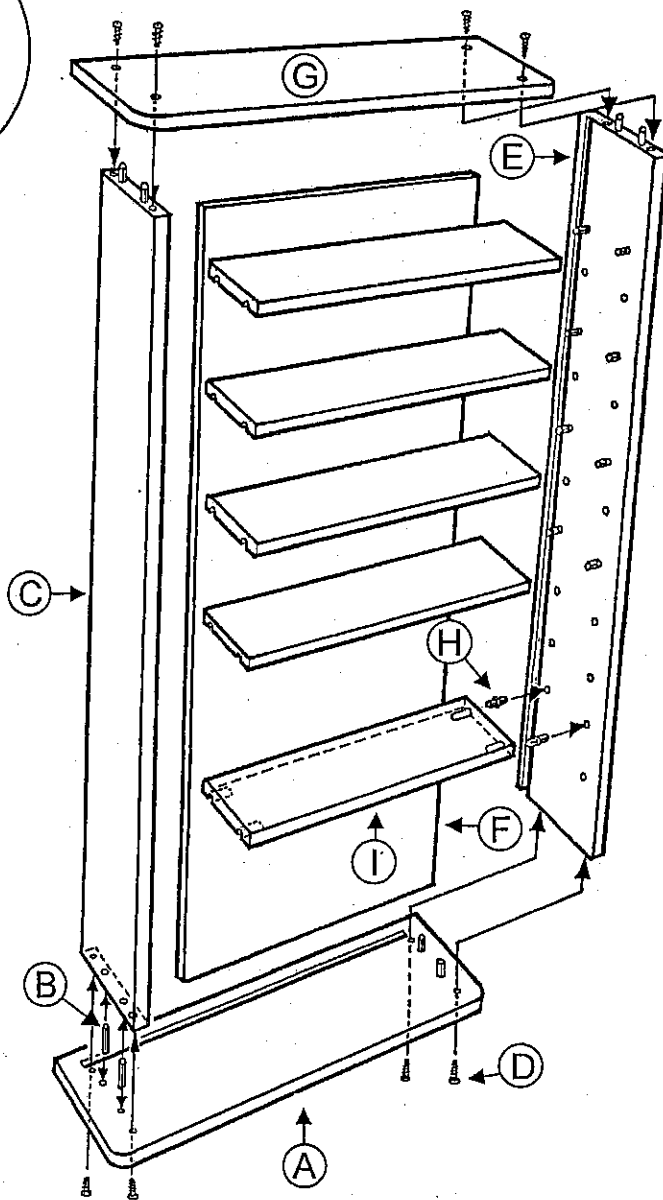


FIG. 1

INSTRUCTIONS

1. USE FOUR SCREWS (D) AND FOUR WOODEN DOWELS (B) TO ATTACH THE SIDE PANELS (C) AND E TO THE BOTTOM PANEL (A)
2. SLIDE BACK PANEL (F) INTO THE SIDE PANELS SLOTS
3. USE FOUR SCREWS AND FOUR WOODEN DOWELS TO ATTACH THE TOP PANEL (G) TO THE SIDE PANELS AS IN STEP 1
4. INSERT SHELF STOPPERS (H) AT THE DESIRED HEIGHT SEE FIG. 1 INTO PRE-DRILLED HOLES OF THE SIDE PANELS
5. FINALLY PROCEED TO PLACE THE SHELVES (I) INTO THE SHELF STOPPERS

**ITEM FITS CDS, DVDS, OR VHS



ATLANTIC®

2003 ATLANTIC, INC.
Santa Fe Springs, CA. USA
U.S. AND OTHER FOREIGN PATENTS PENDING
ALL RIGHTS RESERVED
WEB SITE: <https://www.atlantic-inc.com>

MADE IN CHINA