

# 464CD

OR 240DVD OR 120VHS

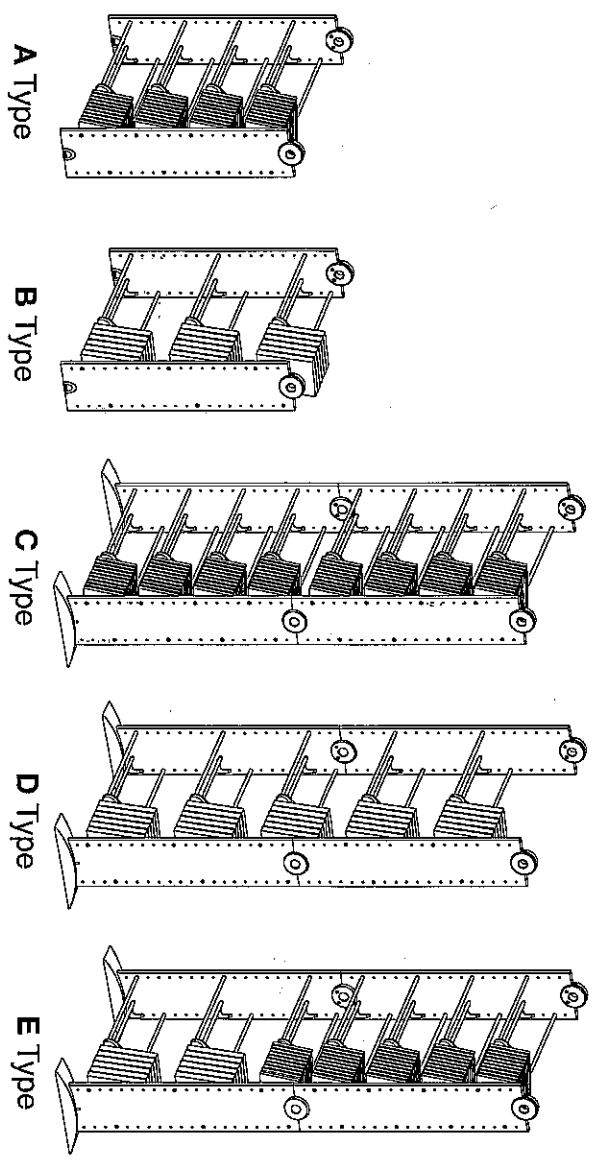
ELF  
Storage Rack

Item No. ELF464  
Assembly Instruction

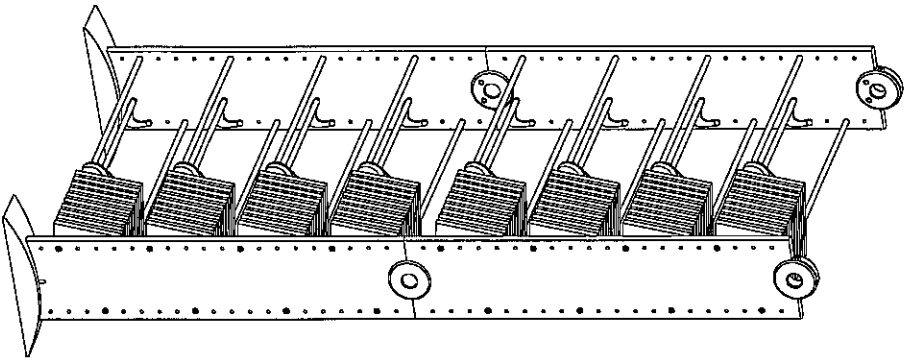
## CAPACITY CHART

	CD	VHS	DVD
A Type	232	---	---
B Type	---	60 or 120	---
C Type	464	---	---
D Type	---	120 or 240*	---
E Type	290 + 40 or 80	---	---

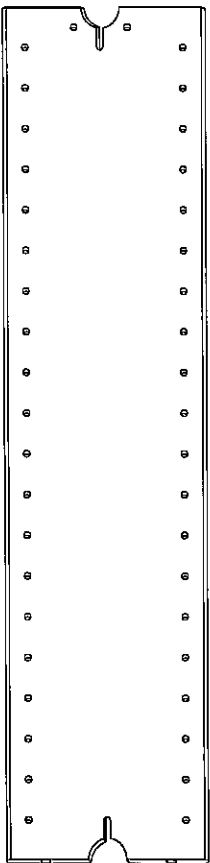
\* Less than B Type



# PARTS LIST

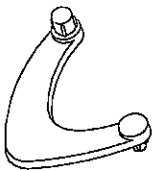


SIDE Board



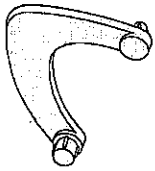
x 4

Left (L)  
Rod Holder



x 8

Right (R)  
Rod Holder



x 8

Hex Screw



x 32

PVC Washer (C)



x 64

Hex Key



x 1

Hex Screw



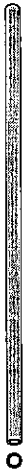
x 4

Metal Rod With Nuts (A)



x 16

Metal Rod Without Nuts (B)



x 8

Plastic Feet



x 2

Rubber Grip Divider



x 8

Wall Moun



x 4

Handle cover



x 4

Expanding Housing



x 8

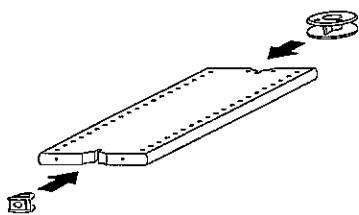
Expanding Pin



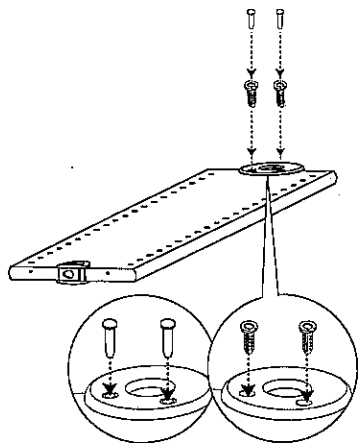
x 8

1 All Side Board

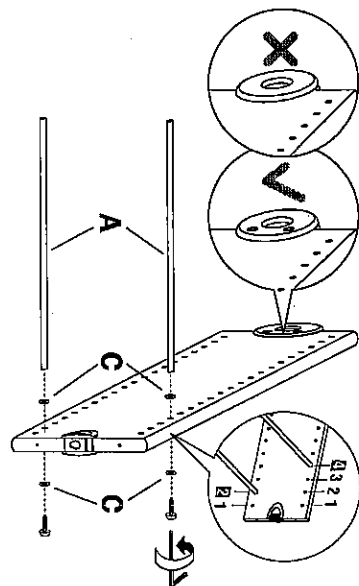
2



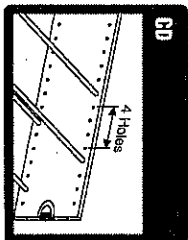
3 Start with base rods



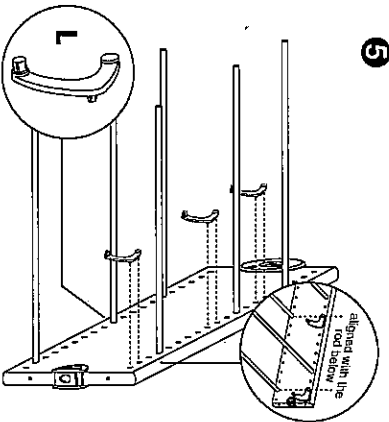
4 Arrange rods accordingly



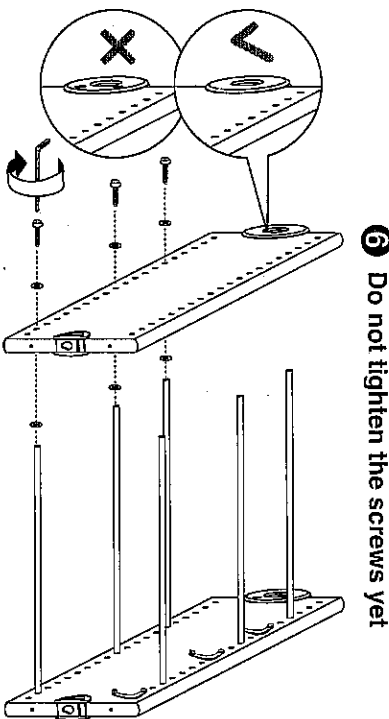
5D



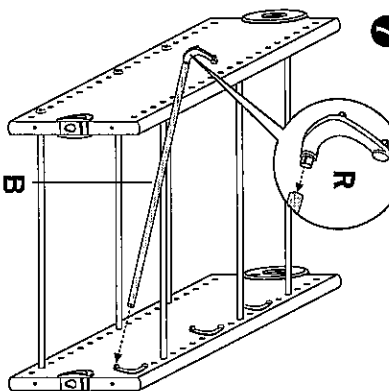
5



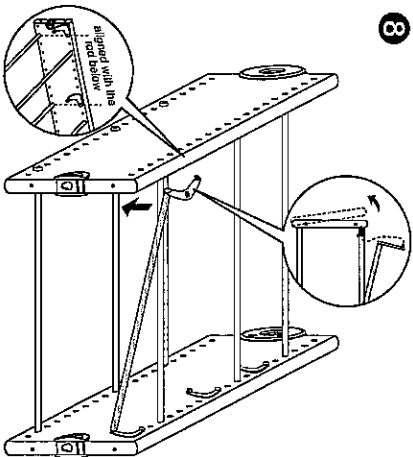
6 Do not tighten the screws yet



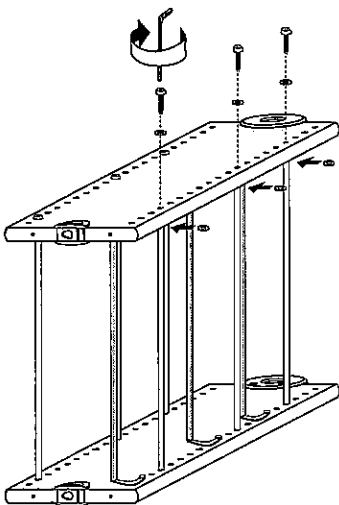
7



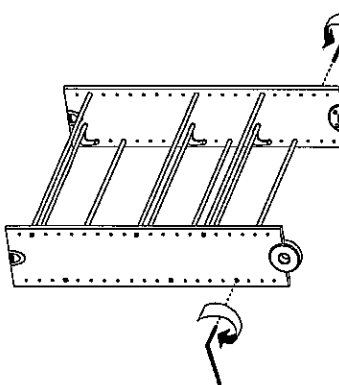
8



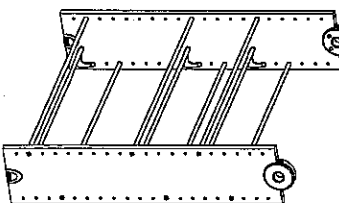
9 Do not tighten the screws yet



10 Tighten all screws securely

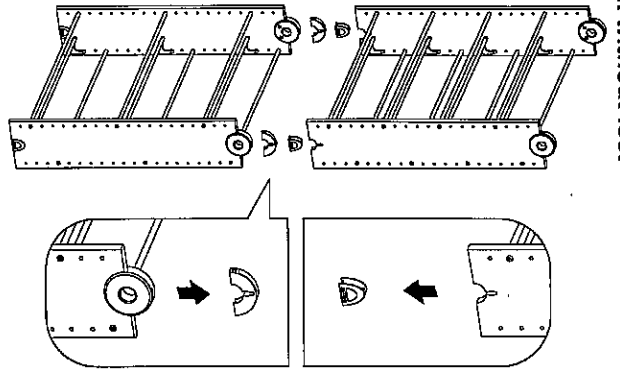


11 Repeat 2-10

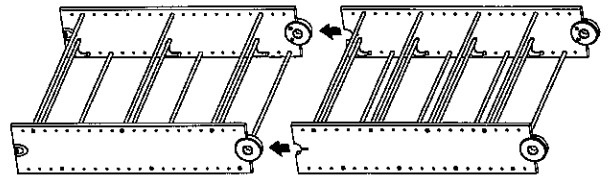


Stack without feet

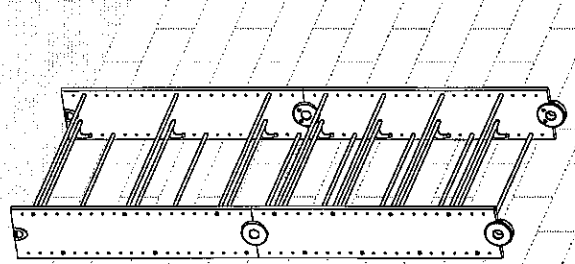
a



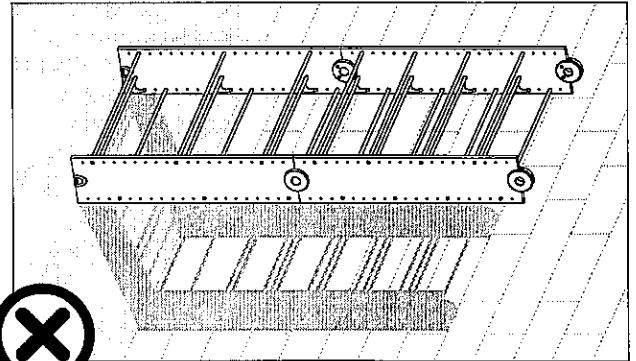
b



c

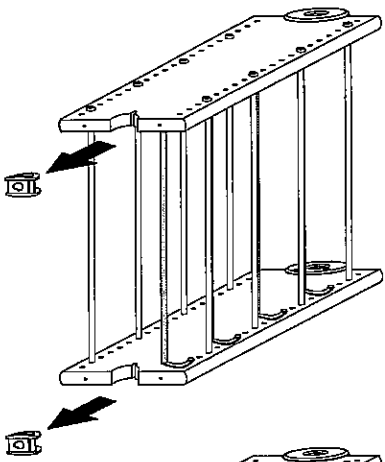


Stand by wall

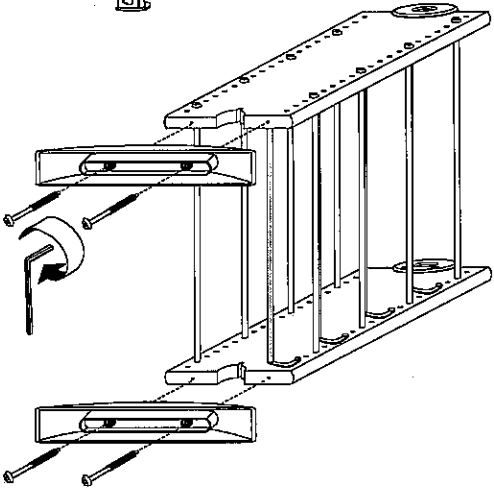


Stack with feet for free standing

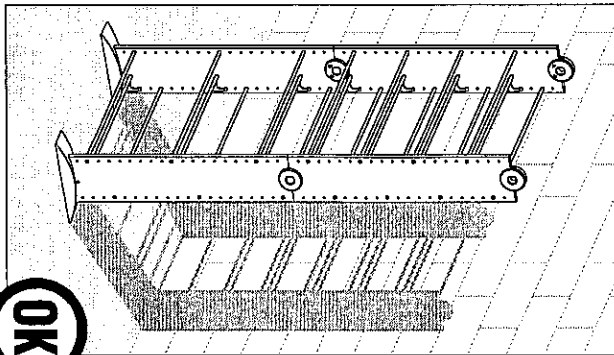
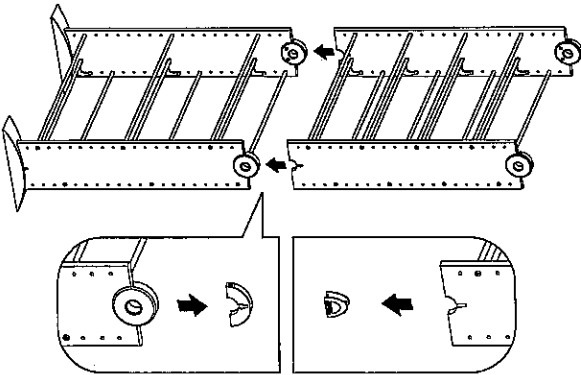
a



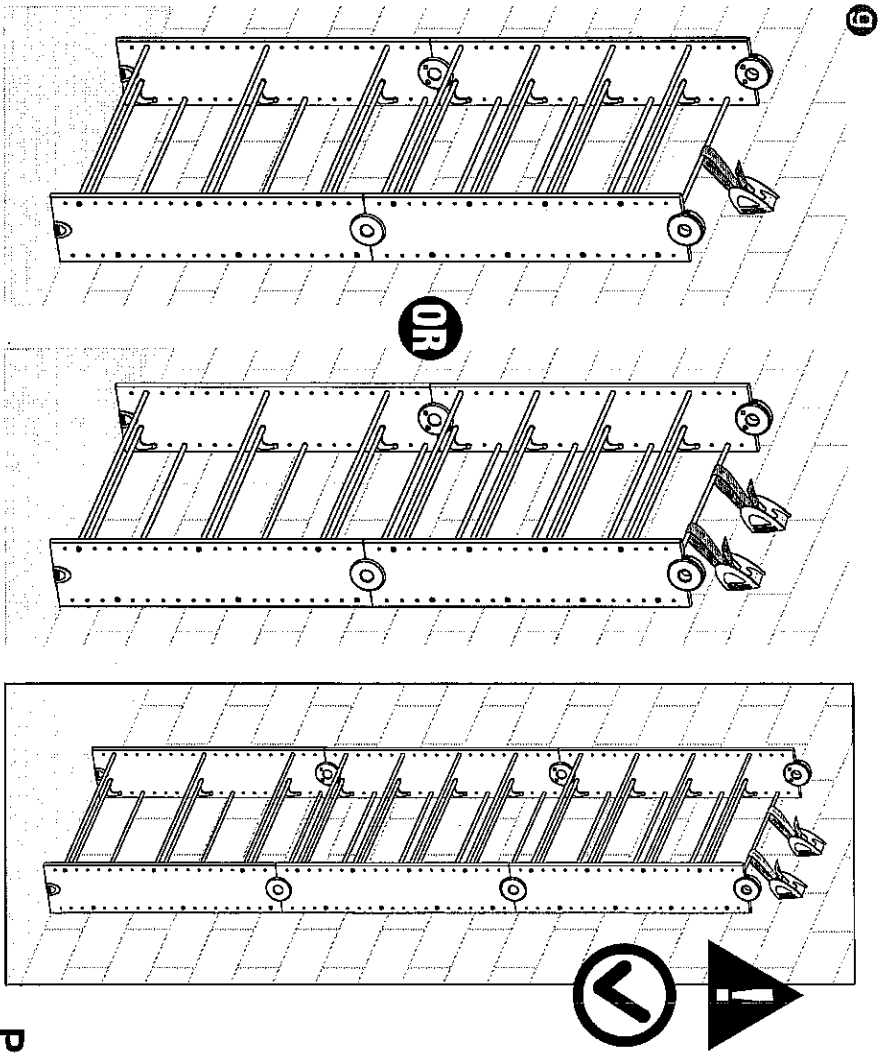
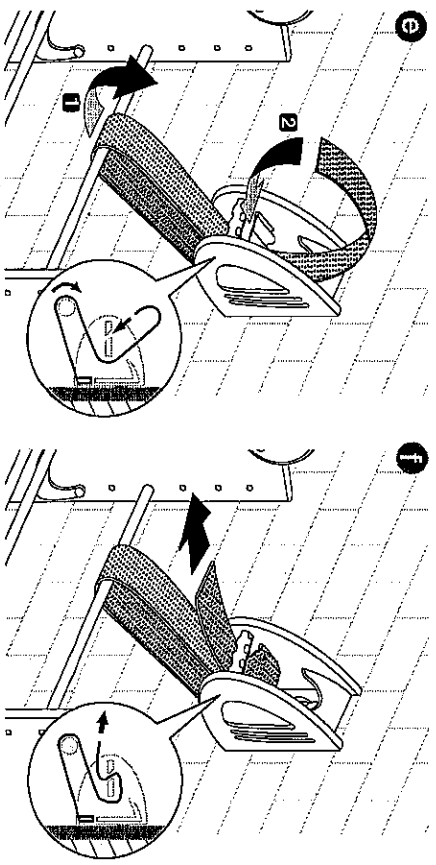
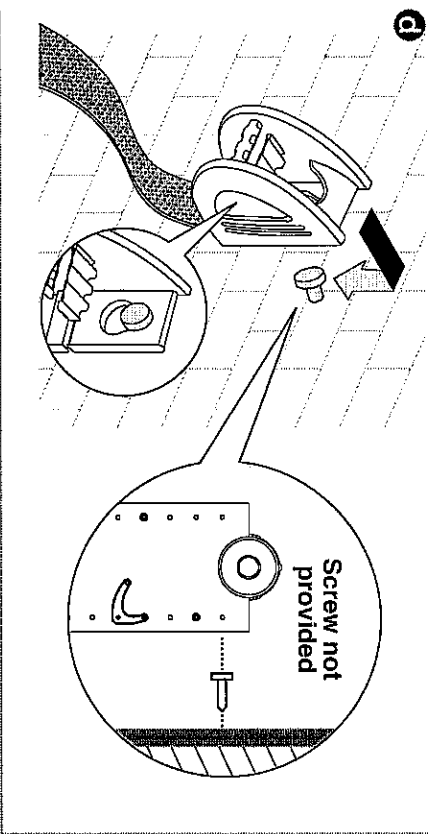
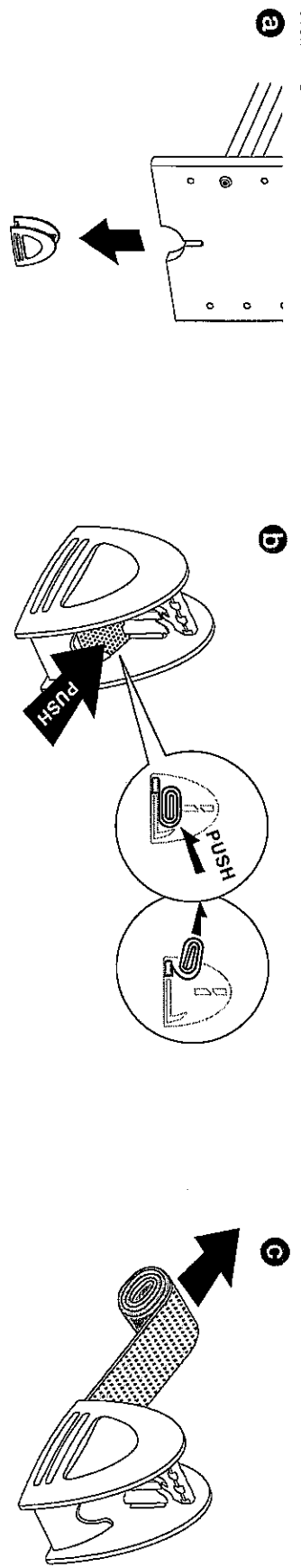
b



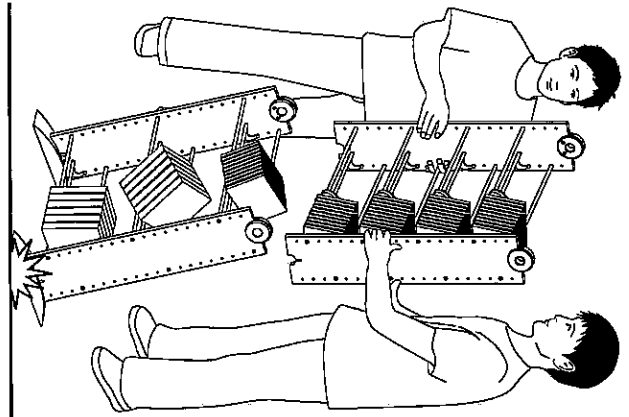
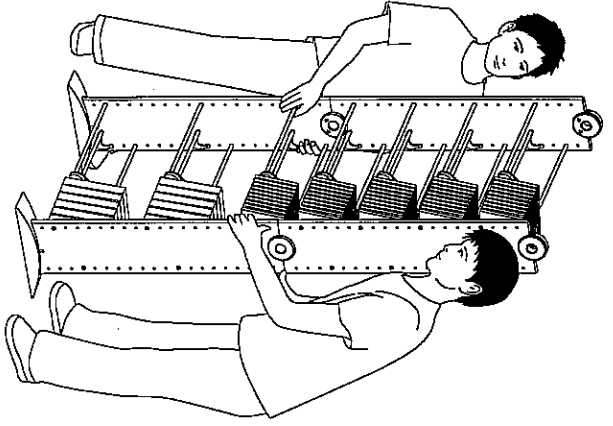
c



Wall mount

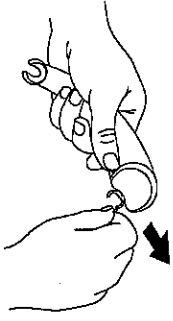


Hold lower section of rack when moving

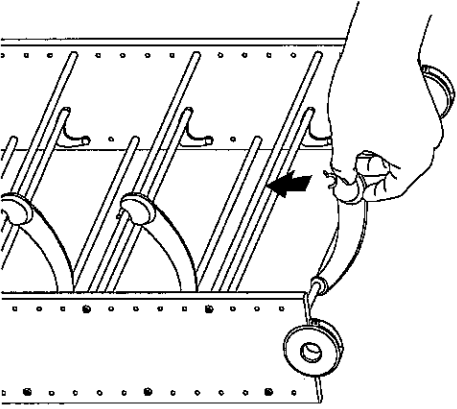


Divider

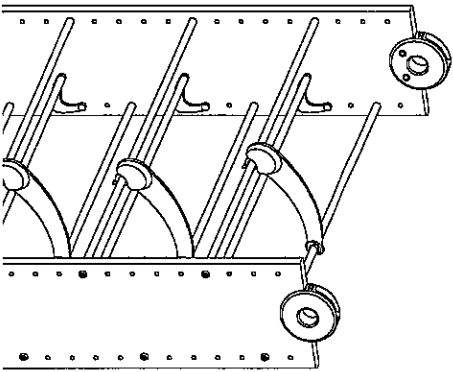
a



b



c



Easy Views

